

Introduction	3
Chimney systems characteristics	5
Diameter marking given by the customer	7
Gasket placing in MKK systems	8
The use of anchor plates and WHT construction clamps	9
MKS chimney system elements	10
MKKS chimney system elements	20
MKSZ chimney system elements	26
MKS oval chimney system elements	32
MK Flex chimney system elements	36
Single-wall chimney system accessories	40
MKD chimney system elements	48
MKKD chimney system elements	56
Twin-wall chimney system accessories	64
MKDZ chimney system elements	76
MKDZ chimney system accessories	82
MKPS chimney system accessories	88
MK chimney sets	98
Other	102
Alphabetical index	105

MKS

The single-wall system used as a liner for open combustion chamber boilers or as connection elements for insulated chimneys. This allows for the modernization of boiler houses and adaptation of old chimney to the new working conditions. It comes in two versions: Premium for gas, oil, wood, pellets. Standard for boilers working on gas and oil. The system can operate only in dry working conditions at temperatures up to 450°C. It is also available in oval and rectangular version.



MKKS

The single-wall system used for boilers using condensation of steam generated during combustion (condensing and turbo boilers). It can serve as a chimney liner for such boilers. The system has grooves for gaskets, and all elements of the system are air tight. It comes in two versions: Premium for gas, oil, wood, pellets. Standard for boilers working on gas and oil. The system can operate only in wet working conditions at temperatures up to 200°C.



MKSZ

The single-wall heat-resistant system used as a chimney liner for boilers working on solid fuel. This allows for the modernization of boiler houses and adaptation of old chimney to the new working conditions. It is available in version: Premium for coal, wood, pellets, pea coal. The system can operate only in dry working conditions at temperatures up to 450°C.



MK Flex

The single-wall system used as a liner for the flue gas from open combustion chamber boilers or ventilation. This allows for the modernization of boiler houses and adaptation of old chimney to the new working conditions, in particular in the ducts with offsets. It comes in two versions: Steel for boilers working on gas and oil. Aluminum for ventilation. The system can operate only in dry working conditions, in the steel version at temperatures up to 600°C, in the aluminum version up to 200°C.

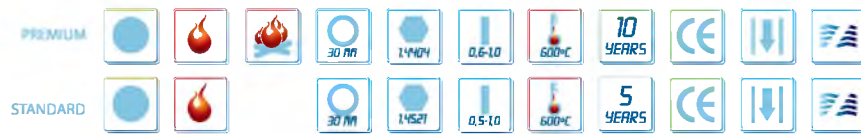


KEY



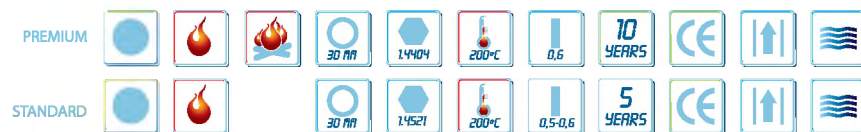
MKD

The double-wall insulated system used as a standalone external chimney for open combustion chamber boilers and fireplaces. It allows for setting the heating unit (furnace, fireplace) anywhere in the facility. The chimney is carried outside and mounted on the wall. It comes in two versions: Premium for gas, oil, wood, pellets. Standard for boilers working on gas and oil. The system can operate only in dry working conditions at temperatures up to 600°C.



MKKD

The double-wall insulated system used as a standalone external chimney for boilers using condensation of steam generated during combustion (condensing and turbo boilers). It allows for setting the heating unit (condensing or turbo boiler) anywhere in the facility. The chimney is carried outside and mounted on the wall. The system has grooves for gaskets, and all elements of the system are air tight. It comes in two versions: Premium for oil, gas, wood. Standard for boilers working on gas and oil. The system can operate only in wet working conditions at temperatures up to 200°C.



MKDZ

The bold-insulated double-wall system used as a standalone external chimney for solid fuel fired boilers. It allows for setting the heating unit anywhere in the facility. The chimney is carried outside and mounted on the wall. It comes in version: Premium for coal, wood, pellets, pea coal. The system can operate only in dry working conditions at temperatures up to 600°C.



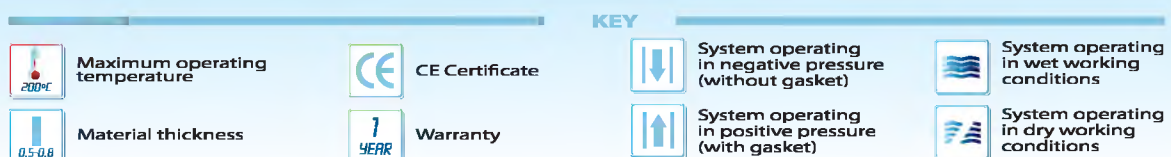
MKPS

The double-wall system without insulation (so called balanced flue), most commonly used as a connection (along with the MKKS) or a standalone chimney for condensing and turbo boilers. The inner pipe is used to evacuate the fumes from the boiler, the channel between the outer pipe and the inner pipe provides an air supply to the boiler. The system has the grooves for gaskets. It is available in version: Premium for gas and oil. The system can operate only in wet working conditions at temperatures up to 200°C.



Accessories

Each system has an additional group of items called accessories. Accessories for single-wall systems is a universal group that fits all single-wall systems. In the case of double-wall systems, accessories fit all double-wall systems except for the MKDZ system which due to the insulation thickness of 60 mm has a separate group of accessories.

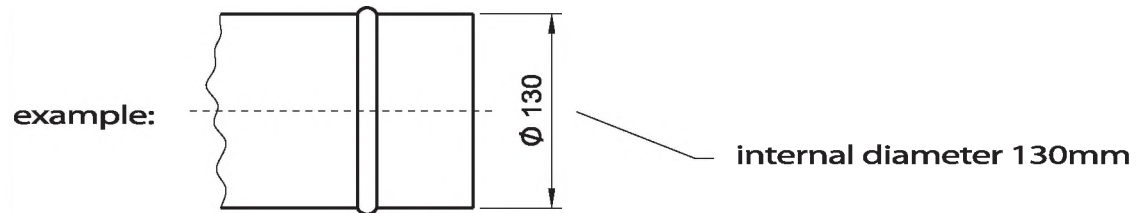


System name	MKS Premium	MKKS Premium	MKD Premium	MKKD Premium	MKS Standard	MKKS Standard	MKD Standard	MKKD Standard
Description/usage	Chimney liner for exhaustion of fumes from heating appliances	Chimney liner for exhaustion of fumes from condensing heating appliances	Twin-wall chimney system (insulated) for exhaustion of fumes from heating appliances	Twin-wall chimney system (insulated) for exhaustion of fumes from condensing heating appliances	Chimney liner for exhaustion of fumes from heating appliances	Chimney liner for exhaustion of fumes from condensing heating appliances	Twin-wall chimney system (insulated) for exhaustion of fumes from heating appliances	Twin-wall chimney system (insulated) for exhaustion of fumes from condensing heating appliances
Fuel kind	V3 corrosion resistance / gas, fuel oil and wood	V3 corrosion resistance / gas, fuel oil and wood	V3 corrosion resistance / gas, fuel oil and wood	V3 corrosion resistance / gas, fuel oil and wood	V2 corrosion resistance / gas, fuel oil	V2 corrosion resistance / gas, fuel oil	V2 corrosion resistance / gas, fuel oil	V2 corrosion resistance / gas, fuel oil
Maximum operating temperature	450°C	200°C	600°C	200°C	450°C	200°C	600°C	200°C
Core pipe material	1.4404 (AISI 316L)	1.4404 (AISI 316L)	1.4404 (AISI 316L)	1.4404 (AISI 316L)	1.4521 (AISI 444)	1.4521 (AISI 444)	1.4521 (AISI 444)	1.4521 (AISI 444)
Core pipe material thickness	0,6mm up to Ø400; 0,8mm from Ø450 to Ø500; 1,0mm from Ø600 to Ø1000	0,6mm up to Ø400; 0,8mm from Ø450 to Ø500	0,6mm up to Ø500; 1,0mm from Ø600 to Ø1000	0,6mm up to Ø500	0,5mm up to Ø250; 0,6mm from Ø300 to Ø400; 0,8mm from Ø450 to Ø500; 1,0mm from Ø600 to Ø1000	0,5 mm	0,5mm up to Ø250; 0,6mm from Ø300 to Ø500; 1,0mm from Ø600 to Ø1000	0,5mm up to Ø250; 0,6mm from Ø300 to Ø500
Jacket pipe material	-	-	1.4509 (AISI 441)	1.4509 (AISI 441)	-	-	1.4509 (AISI 441)	1.4509 (AISI 441)
Insulation	-	-	mineral wool	mineral wool	-	-	mineral wool	mineral wool
Insulation thickness	for V3 effective insulation thickness 27/28mm	-	30 mm	30 mm	-	-	30 mm	30 mm
Welding technology	plasma/TIG	plasma/TIG	plasma/TIG	plasma/TIG	plasma/TIG	plasma/TIG	plasma/TIG	plasma/TIG
Kind of connections	socket connection	socket connection with gasket	socket connection	socket connection with gasket	socket connection	socket connection with gasket	socket connection	socket connection with gasket
Kind of operating conditions	negative pressure	positive pressure	negative pressure	positive pressure	negative pressure	positive pressure	negative pressure	positive pressure
Soot fire resistant	YES	NO	YES	NO	YES	NO	YES	NO
Average roughness	1,0 mm	1,0 mm	1,0 mm	1,0 mm	1,0 mm	1,0 mm	1,0 mm	1,0 mm
Accreditations/Certificates	CE 0432-CPD-219970-1	CE 0432-CPD-219970-4	CE 0432-CPD-219972-1	CE 0432-CPD-219972-3	CE 0432-CPD-219970-1	CE 0432-CPD-219970-4	CE 0432-CPD-219972-1	CE 0432-CPD-219972-3

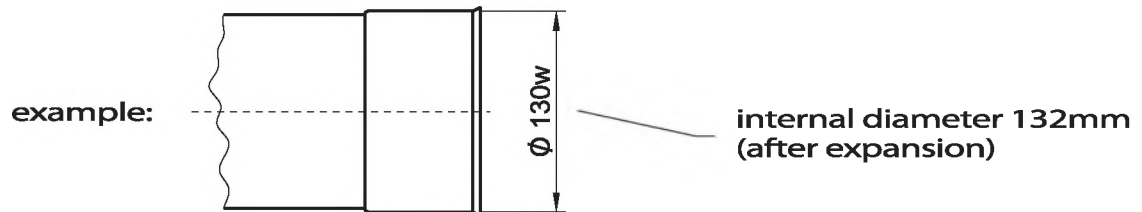
System name	MKPS Premium	MKSZ Premium	MKDZ Premium	MK FLEX ALU	MK FLEX	MK FLEX x 2
Description/usage	Balanced-flue chimney system (fume exhaustion pipe inside an air-supply pipe)	Chimney liner for exhaustion of fumes of high temperature	Twin-wall chimney system (insulated) for exhaustion of fumes of high temperature	Flexible aluminum liners used for ventilation	Flexible chimney liner	Flexible double-layer chimney liner
Fuel kind	V2 corrosion resistance / gas, fuel oil	V3 corrosion class / oil fuel, gas and solid fuels such as wood, briquet, charcoal, bitumionus coal, pellets, pea coal.	V3 corrosion class / oil fuel, gas and solid fuels such as wood, briquet, charcoal, bitumionus coal, pellets, pea coal.	Ventilation only	gas, fuel oil	gas, fuel oil
Maximum operating temperature	200°C	450°C	600°C	200°C	600°C	600°C
Core pipe material	1.4521 (AISI 444)	1.4404 (AISI 316L)	1.4404 (AISI 316L)	Aluminum	1.4404 (AISI 316L)	1.4404 (AISI 316L)
Core pipe material thickness	0,5 mm	pipes 0,8mm; fittings 1,0mm	pipes 0,8mm; fittings 1,0mm	0,12mm	0,12mm	2x0,12mm
Jacket pipe material	1.4509 (AISI 441)	-	1.4509 (AISI 441)	-	-	-
Insulation	-	-	ceramic wool	-	-	-
Insulation thickness	-	for V3 effective insulation thickness 27/28mm	60 mm	-	-	-
Welding technology	plasma / TIG	plasma / TIG	plasma / TIG	-	-	-
Kind of connections	socket connection with gasket	socket connection	socket connection	-	system of connection pieces	system of connection pieces
Kind of operating conditions	positive pressure	negative pressure	negative pressure	ventilation	negative pressure	negative pressure
Soot fire resistant	NO	YES	YES	-	NO	NO
Average roughness	1,0 mm	1,0 mm	1,0 mm	-	-	-
Accreditations/Certificates	CE 0432-CPD-219971-1 CE 0432-CPD-219971-2 CE 0432-CPD-219971-3	CE 0432-CPD-219970-3	CE 0432-CPD-219972-4	technical approbate	CE 0432-CPD-219986-1	CE 0432-CPD-219986-1

Diameter marking given by the customer

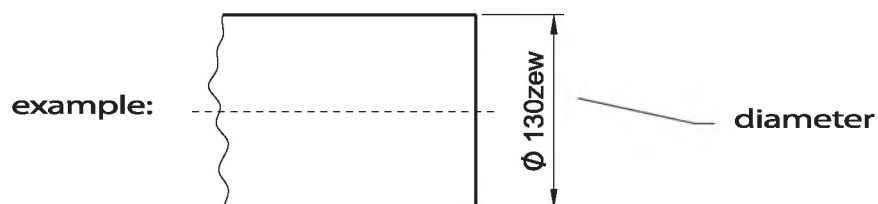
The dimension described by a number without an index stands for nominal (arterial) diameter



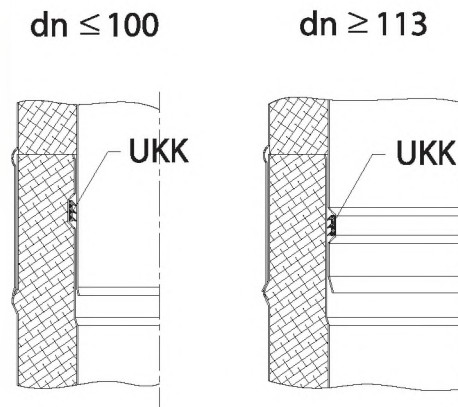
The dimension described by a number accompanied with a "W" index stands for expanded diameter (female socket)



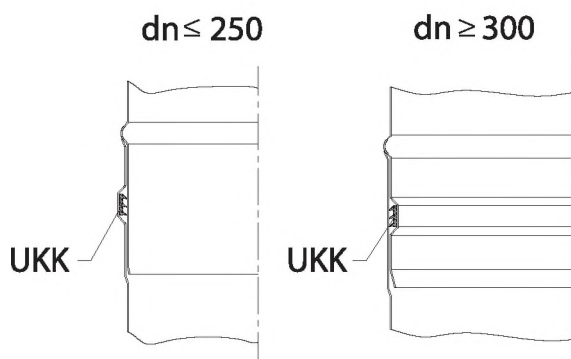
The dimension described by a number with a "ZEW" index stands for external diameter



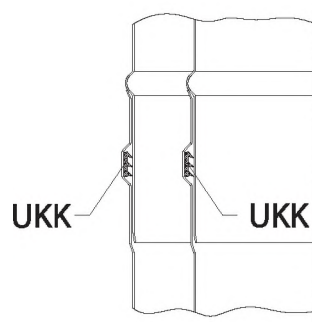
Gasket placing in MKK systems



MKKD system

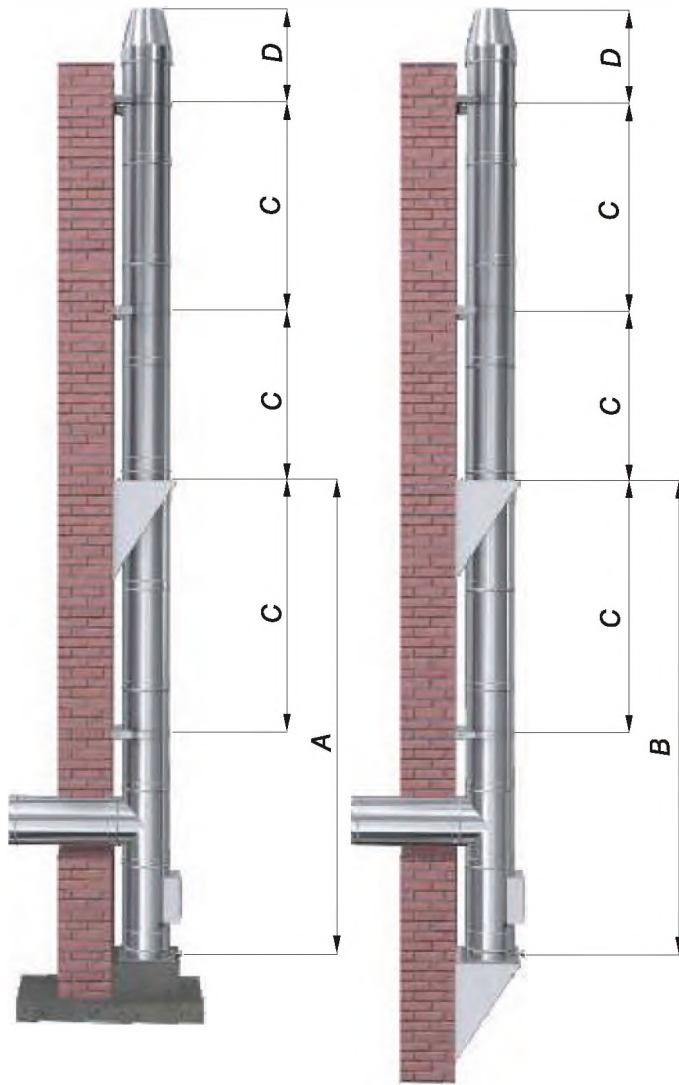


MKKS system



MKPSsystem

The use of anchor plates and WHT construction clamps



- A - Distances between anchor plates in a chimney based on a concrete slab.
- B - Distances between anchor plates in a chimney based on a WKT support.
- C - Distances between WHT clamps
- D - Maximum chimney length over the last WHT clamp

DN	A	B	C	D
mm	m			
113	30	30	4	3
120				
130				
140				
150				
160	25	20	4	3
180				
200				
225	15	10	4	3
250				
300	12	8	4	3
350				
400				
450				
500	7	6	2	1
600				
700				
800	20	15	2	1
900				
1000	15	6	2	1

In case where more anchor plates are needed they should be installed in the distance "B" from the preceding one.

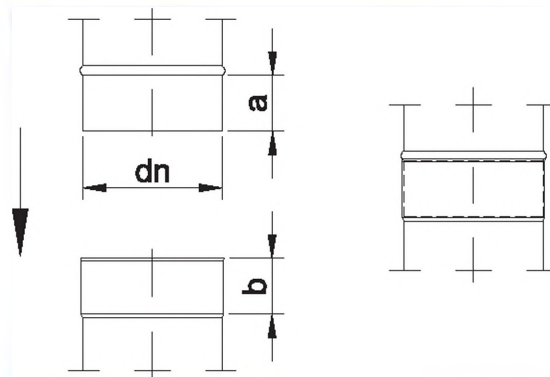
Condensate collector OD	11
Cleanout KPR	11
Cleanout with closing plate KPR FU	11
Cleanout with condensate collector KPR+OK	11
Tee-piece TR 45°	12
Tee-piece TR 90°	12
Tee-piece for draught adjuster TR REG	12
Tee-piece with detachable outlet TRPF 90°	13
WPF outlet for TRPF tee-piece	13
Transitional support PP	10
Length RP L250	14
Length RP L 330	14
Length RP L 500	14
Length RP L 1000	14
Length with mounting ears RPU L1000	14
Telescopic length RPJ	14
Reduction RD MKS	15
Adjustable elbow ŁK 0-90°	15
Adjustable elbow with revision ŁKR 90°	15
Elbow with revision ŁKRS 90°	16
Elbow ŁKS 90°	16
Adjustable elbow SK 0-45°	16
Elbow SKS 15°	16
Elbow SKS 30°	16
Elbow SKS 45°	17
Roof plate DH	17
Prolonged roof plate DH FU	18
Manchette OS2	18
V-piece PORTKI	18

MKS system information



MKS system sockets

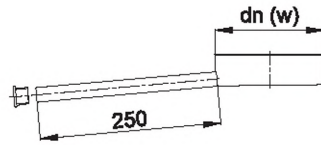
dn	to Ø300	from Ø350
a	60	95
b	63	100



Round shape	Gas, fuel oil	Core steel grade 1.4521	CE Certificate	System operating in wet working conditions
Oval shape	Wood	Thickness of insulation 30 mm	7 YEAR Warranty	System operating in dry working conditions
Rectangular shape	Solid fuels	Maximum operating temperature 200°C	System operating in negative pressure (without gasket)	
Used for ventilation purposes	Solid fuels, pea coal	Material thickness 0.5-0.8	System operating in positive pressure (with gasket)	

Condensate collectors

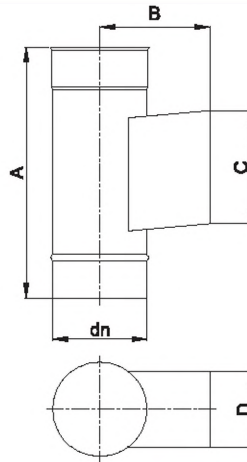
Condensate collector OD



Available in diameters	113	120	130	140	150	160	180	200	225	250	300	350	400	450	500	600	700	800	900	1000
------------------------	-----	-----	-----	-----	-----	-----	-----	-----	-----	-----	-----	-----	-----	-----	-----	-----	-----	-----	-----	------

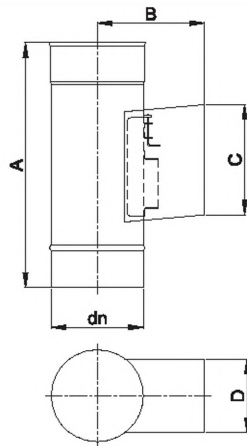
Cleanouts

Cleanout KPR



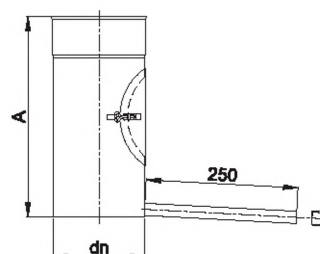
dn	113	120	130	140	150	160	180	200	225	250	300	350	400	450	500	600	700	800	900	1000
A	400										600									
B	157	160	165	170	175	180	190	200	213	225	250	275	300	325	350	400	450	500	550	600
C	180										300									
D	120										200									

Cleanout with closing plate KPR FU



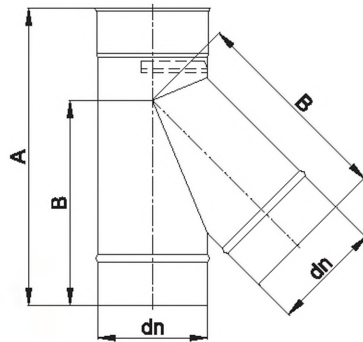
dn	113	120	130	140	150	160	180	200	225	250	300
A	400										
B	157	160	165	170	175	180	190	200	213	225	250
C	120										
D	180										

Cleanout with condensate collector KPR+OK



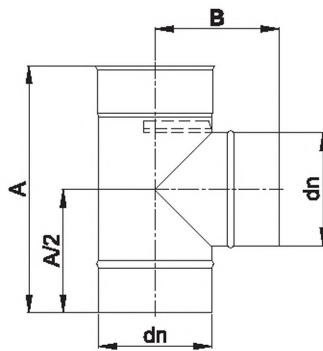
dn	113	120	130	140	150	160	180	200	225	250	300
A	300			330			400				

Tee-pieces



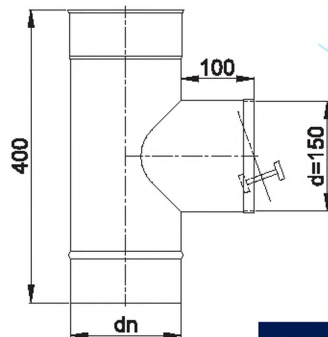
Tee-piece TR 45°

dn	113	120	130	140	150	160	180	200	225	250	300	350	400	450	500	600	700	800	900	1000
A	360	370	380	400	410	430	450	480	520	560	630	790	860	930	1000	1170	1310	1460	1600	1750
B	238	246	258	270	283	295	319	343	373	403	464	569	629	690	750	886	1006	1127	1248	1369



Tee-piece TR 90°

dn	113	120	130	140	150	160	180	200	225	250	300	350	400	450	500	600	700	800	900	1000
A			330			350	370	400	420	450	500	650	700	750	800	900	1000	1100	1200	1300
B	147	151	156	161	166	171	181	191	213	226	251	306	331	371	396	461	511	561	611	661



Tee-piece for draught adjuster TR REG

Available in diameters	113	120	130	140	150	160	180	200	225	250	300

Remark: Tee-Piece and draught adjuster need to be ordered separately.

MIKS

MIKKS

MIKSZ

MIKS Oval

MIK FLEX System

Single-wall system accessories

MIKD

MIKGD

Double-wall system accessories

MIKGDZ

MIKGDZ accessories

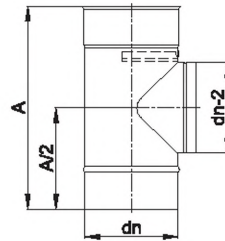
MIKPS

MIK Chimney sets

Other

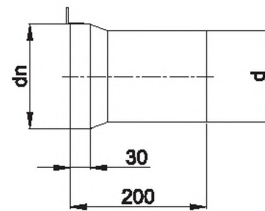
Tee-piece with detachable outlet TRPF 90°

dn	113	120	130	140	150	160	180	200	225	250	300
A	330					350	370	400	420	450	500



WPF outlet for TRPF tee-piece

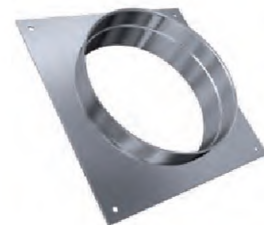
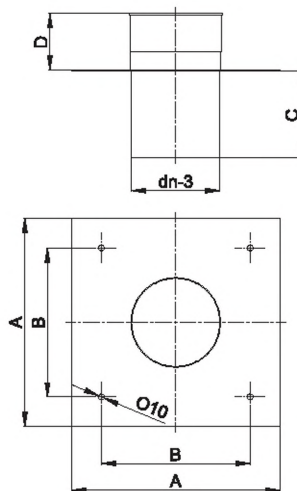
dn	113	120	130	140	150	160	180	200	225	250	300
d ₁	According to the order										
L	200										



WPF outlet for TRPF tee-piece

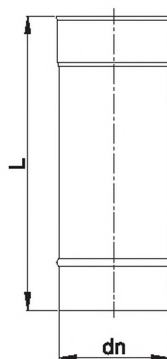
Support

Transitional support PP



dn	113	120	130	140	150	160	180	200	225	250	300	350	400	450	500	600	700	800	900	1000
A	313	320	330	340	350	360	380	400	425	450	500	600	650	700	750	850	950	1050	1150	1250
B	213	220	230	240	250	260	280	300	325	350	400	500	550	600	650	750	850	950	1050	1150
C	145											195								
D	95											145								

Lengths



Length RP L 250

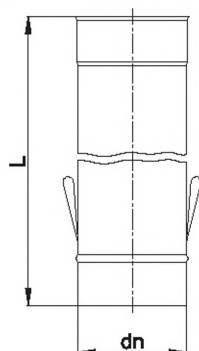
Length RP L 330

Length RP L 500

Length RP L 1000

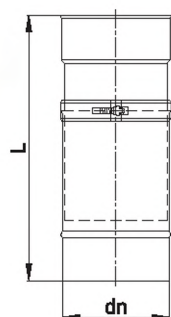
dn	113	120	130	140	150	160	180	200	225	250	300	350	400	450	500	600	700	800	900	1000		
L	1000																					
	500																					
	250										330											
diameter		113	120	130	140	150	160	180	200	225	250	300	350	400	450	500						
Number of pieces per pallet L1000		50	50	50	40	35	30	20	20	15	12	8	6	4	2	2						
Number of pieces per pallet L500		100	100	100	80	70	60	40	40	30	24	16	12	8	4	4						
Number of pieces per pallet L250 (L330)		200	200	200	160	140	120	80	80	60	48	32	24	16	8	8						

Other lengths



Length with mounting ears RPU L1000

Available in diameters	113	120	150	140	150	160	180	200	225	250	300

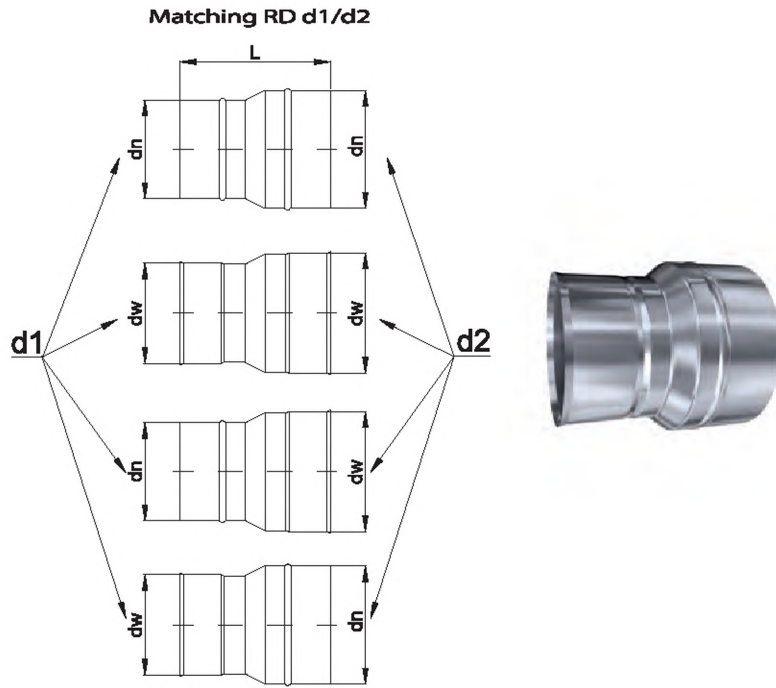


Telescopic length RPJ

dn	113	120	130	140	150	160	180	200	225	250	300	350	400	450	500	600	700	800	900	1000
L	300-500											400-600								

Reductions

Reduction RD MKD



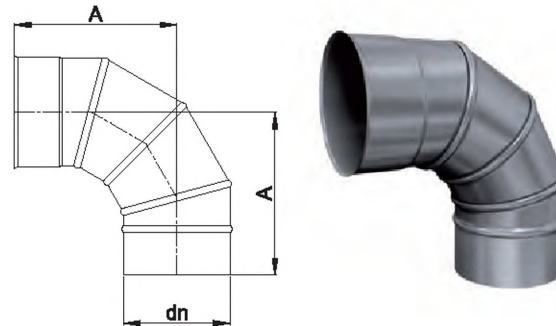
L dimension - after agreement with the customer

dn - nominal Ø internal dimension / male end
dw - socket / female end

Available in diameters	113	120	130	140	150	160	180	200	225	250	300	350	400	450	500	600	700	800	900	1000
------------------------	-----	-----	-----	-----	-----	-----	-----	-----	-----	-----	-----	-----	-----	-----	-----	-----	-----	-----	-----	------

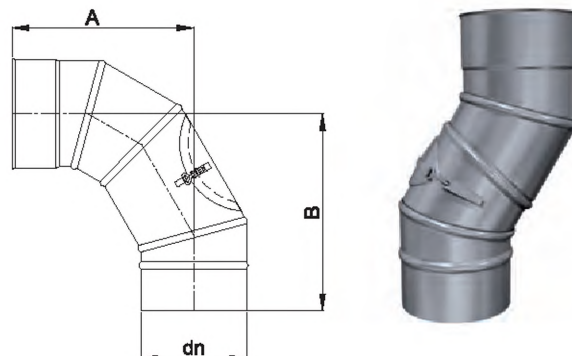
Elbows

Adjustable elbow ŁK 0-90°

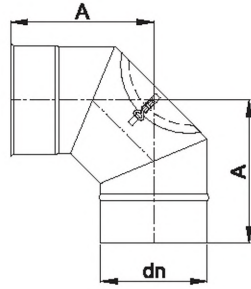


dn	113	120	130	140	150	160	180	200	225	250	300
A		217		230	244	260	278	291	323		

Adjustable elbow with revision ŁKR 90°

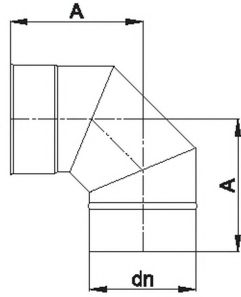


dn	113	120	130	140	150	160	180	200	225	250	300
A		242		254	269	275	303	316	323		
B		260		273		287		321		323	



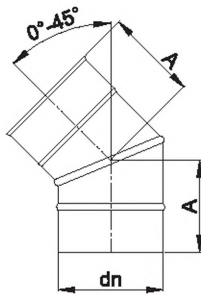
Elbow with revision ŁKRS 90°

dn	350	400	450	500	600	700	800	900	1000
A	329	354	379	404	473	523	573	623	673



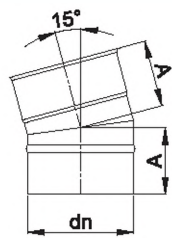
Elbow ŁKS 90°

dn	350	400	450	500	600	700	800	900	1000
A	329	354	379	404	473	523	573	623	673



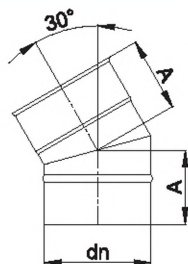
Adjustable elbow SK 0-45°

dn	113	120	130	140	150	160	180	200	225	250	300
A	122		127	132	137	142	147	157	172		



Elbow SKS 15°

dn	350	400	450	500	600	700	800	900	1000
A	148	151	155	158	170	176	183	189	196

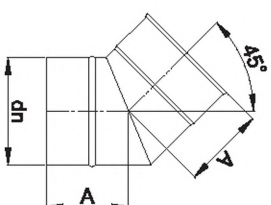


Elbow SKS 30°

dn	350	400	450	500	600	700	800	900	1000
A	172	179	185	192	211	224	237	251	264

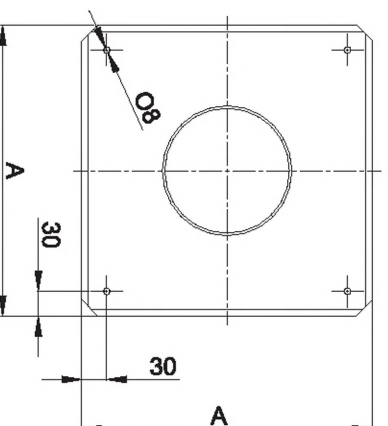
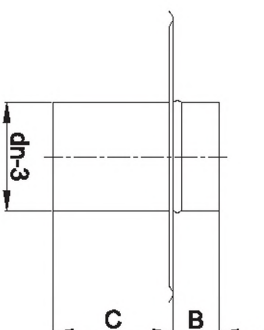
Elbow SKS 45°

dn	350	400	450	500	600	700	800	900	1000
A	198	208	218	229	255	275	296	317	338



Roof plates

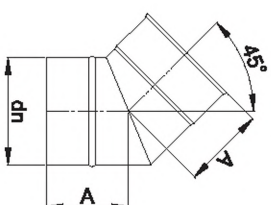
Roof plate DH



dn	113	120	130	140	150	160	180	200	225	250	300	350	400	450	500	600	650	700	800	900	1000	
A	313	320	330	340	350	360	380	400	425	450	500	550	600	650	700	800	850	900	1000	1100	1200	
B	50																					
C	150											200						250				

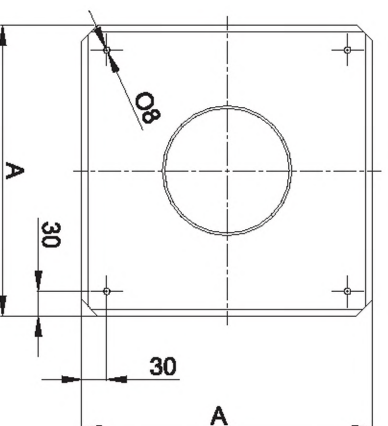
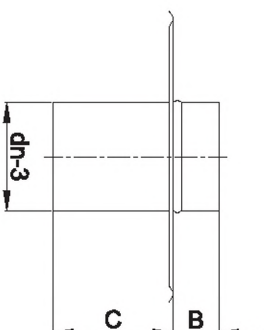
Elbow SKS 45°

dn	350	400	450	500	600	700	800	900	1000
A	198	208	218	229	255	275	296	317	338



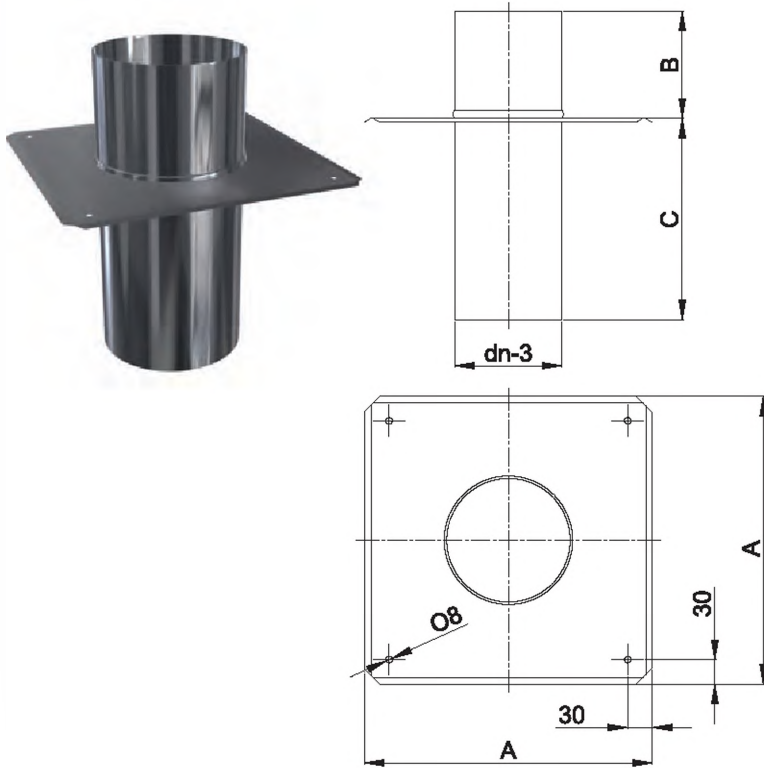
Roof plates

Roof plate DH



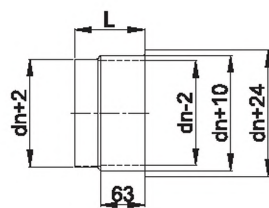
dn	113	120	130	140	150	160	180	200	225	250	300	350	400	450	500	600	650	700	800	900	1000	
A	313	320	330	340	350	360	380	400	425	450	500	550	600	650	700	800	850	900	1000	1100	1200	
B	50																					
C	150											200						250				

Prolonged roof plate DH FU



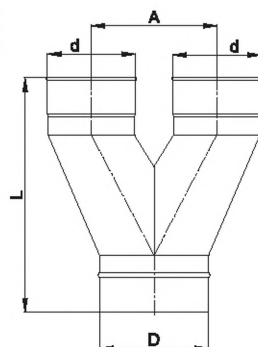
dn	113	120	130	140	150	160	180	200	225	250	300
A	313	320	330	240	350	360	380	400	425	450	500
B	113	120	130	140	150	160	180	200	225	250	300
C	250										

Other



Manchette OS2

dn	113	120	130	140	150	160	180	200	225	250	300
L	100 or 200										



V-piece PORTKI

Dimensions of the element after agreement with the customer.

Other

MK
Chimney sets

MKPS

MKDZ accessories

MKDZ

Double-wall system
accessories

MKKD

MKD

Singe-wall system
accessories

MK FLEX System

MKS Oval

MKSZ

MKKS

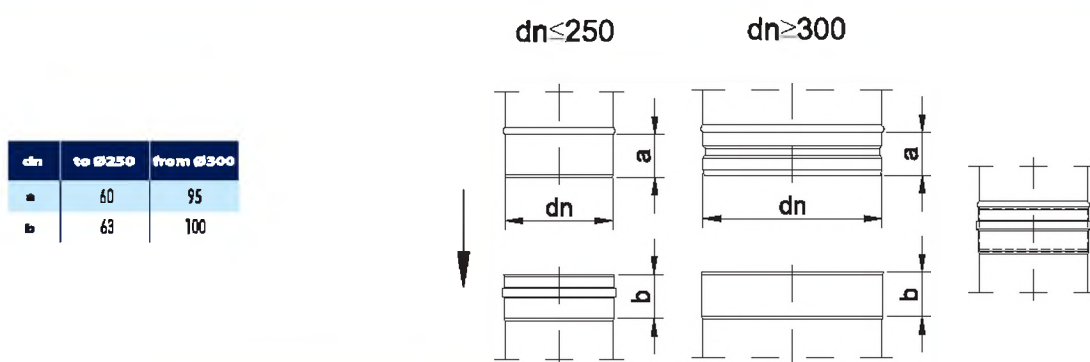
MKS

Condensate collector ODKK	21
Cleanout with condensate collector KPKK+OD	21
Cleanout KPKK	21
Tee-piece TRK 87°	21
Tee-piece for draught regulation TRKR	22
Length RPK L250	22
Length RPK L 330	22
Length RPK L 500	22
Length RPK L 1000	22
Length with mounting ears RPU L1000	22
Telescopic length RPKJ	23
Length with condensate collector RPK+OD	23
Length with measurement spout 1/2" RPKM L250	23
Length with measurement spout 1/2" RPKM L330	23
Reduction RDK MKKS	23
Elbow with revision ŁRKK 93°	24
Elbow ŁKK 90°	24
Elbow ŁKK 93°	24
Elbow SKK 15°	24
Elbow SKK 30°	25
Elbow SKK 45°	25
Elbow with support ŁPKK 93°	25

MKKS system information



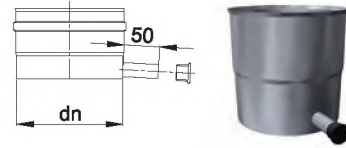
MKKS system sockets



KEY					
Round shape	Gas, fuel oil	Core steel grade	CE Certificate	System operating in wet working conditions	
Oval shape	Wood	Thickness of insulation	Warranty	System operating in dry working conditions	
Rectangular shape	Solid fuels	Maximum operating temperature	System operating in negative pressure (without gasket)		
Used for ventilation purposes	Solid fuels, pea coal	Material thickness	System operating in positive pressure (with gasket)		

Condensate collectors

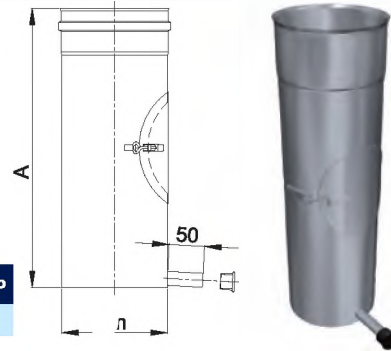
Condensate collector ODKK



Available in diameters	60	80	100	113	120	130	140	150	160	180	200	225	250	300	350	400	450	500
------------------------	----	----	-----	-----	-----	-----	-----	-----	-----	-----	-----	-----	-----	-----	-----	-----	-----	-----

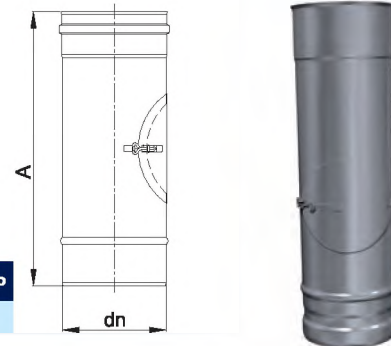
Cleanouts

Cleanout with condensate collector KPKK+OD



dn	60	80	100	113	120	130	140	150	160	180	200	225	250	300	350	400	450	
A	300	400										600						

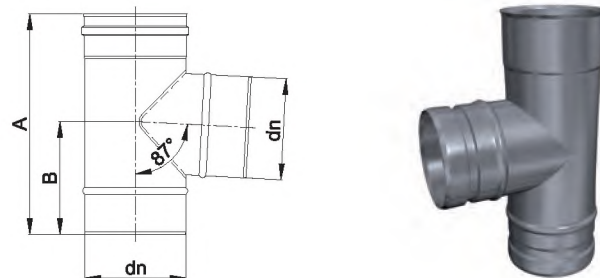
Cleanout KPKK



dn	60	80	100	113	120	130	140	150	160	180	200	225	250	300	350	400	450	
A	300	400										600						

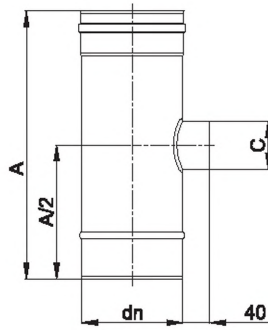
Tee-pieces

Tee-piece TRK 87°



dn	60	80	100	113	120	130	140	150	160	180	200	225	250	300	350	400	450	500
A	250		330						350	370	400	420	450	500	650	700	750	800
B	127	127	168	168	168	169	169	169	179	190	205	216	232	258	344	361	387	413

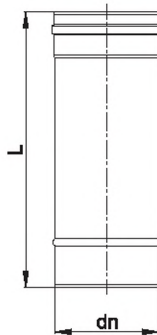
In the MKKS system in elements smaller than Ø250 the gasket is mounted in the female socket (see drawings), in elements bigger than Ø250 the gasket is mounted on the male part (see renders). In diameters 60, 80, 100mm the elements come together with the gaskets, in the remaining diameters the gaskets need to be ordered separately.



Tee-piece for draught regulation TRKR

dn	60	80	100	113	120	130	140	150	160	180	200	225	250	300	350	400	450	500	
A	300			400										600					
C	30	45	50	55	60		70	80	90	100	110	120	150	170	200	225	250		

Lengths



Length RPK L 250

Length RPK L 330

Length RPK L 500

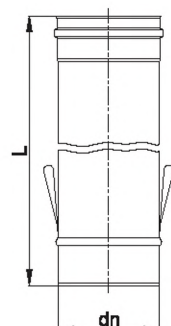
Length RPK L 1000



dn	60	80	100	113	120	130	140	150	160	180	200	225	250	300	350	400	450	500
L	1000																	
	500																	
	250												330					

diameter	60	80	100	113	120	130	140	150	160	180	200	225	250	300	350	400	450	500
Number of pieces per pallet L1000	200	100	80	50	50	50	40	35	30	20	20	15	12	8	6	4	2	2
Number of pieces per pallet L500	400	200	160	100	100	100	80	70	60	40	40	30	24	16	12	8	4	4
Number of pieces per pallet L250 (L330)	800	400	320	200	200	200	160	140	120	80	80	60	48	32	24	16	8	8

Other lengths

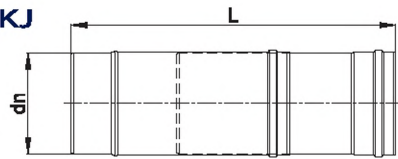


Length with mounting ears RPKU L1000

dn	60	80	100	113	120	130	140	150	160	180	200	225	250	300
L	1000													

In the MKKS system In elements smaller than Ø250 the gasket is mounted in the female socket (see drawings), In elements bigger than Ø250 the gasket is mounted on the male part (see renders). In diameters 60, 80, 100mm the elements come together with the gaskets, in the remaining diameters the gaskets need to be ordered separately.

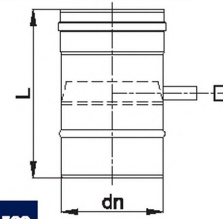
Telescopic length RPKJ



dn	60	80	100	113	120	130	140	150	160	180	200	225	250	300	350	400	450	500
L	400-600												470-670					

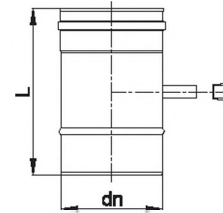
Remark: In diameters 60, 80, 100mm the element comes together with the gaskets (2pcs), in the remaining diameters the gaskets need to be ordered separately (2pcs).

Length with condensate collector RPK+OD



dn	60	80	100	113	120	130	140	150	160	180	200	225	250	300	350	400	450	500	
L	240			250										330					

Length with measurement spout 1/2" RPKM L250



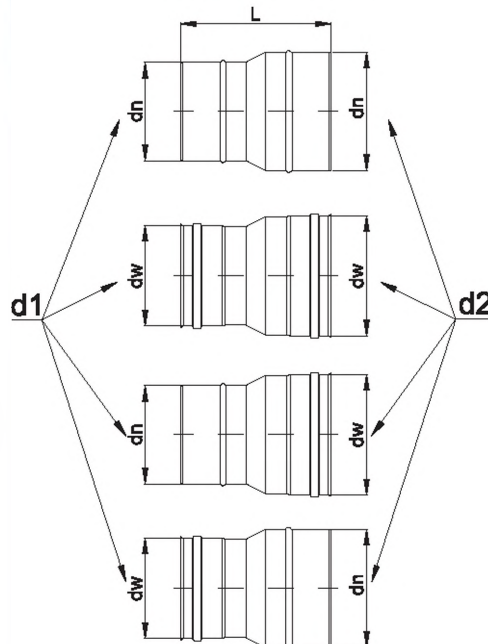
Length with measurement spout 1/2" RPKM L330

Available in diameters	60	80	100	113	120	130	140	150	160	180	200	225	250	300
------------------------	----	----	-----	-----	-----	-----	-----	-----	-----	-----	-----	-----	-----	-----

Reductions

Reduction RDK MKKS

Matching RDK d1/d2

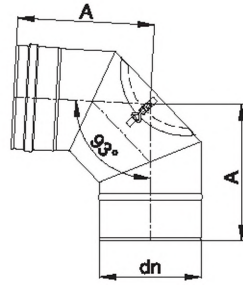


dn - nominal Ø internal dimension / male end
dw - socket / female end

L dimension - after agreement with customer

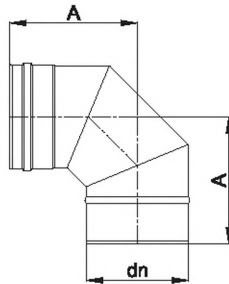
Available in diameters	60	80	100	113	120	130	140	150	160	180	200	225	250	300	350	400	450	500
------------------------	----	----	-----	-----	-----	-----	-----	-----	-----	-----	-----	-----	-----	-----	-----	-----	-----	-----

In the MKKS system in elements smaller than Ø250 the gasket is mounted in the female socket (see drawings), in elements bigger than Ø250 the gasket is mounted on the male part (see renders). In diameters 60, 80, 100mm the elements come together with the gaskets, in the remaining diameters the gaskets need to be ordered separately.



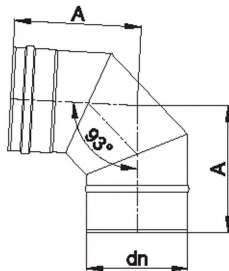
Elbow with revision ŁRKK 93°

dn	60	80	100	113	120	130	140	150	160	180	200	225	250	300	350	400	450	500
A	159	168	181	184	189	197	198	195	199	208	220	220	232	255	319	343	367	390



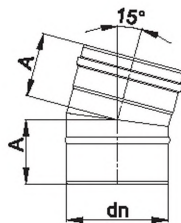
Elbow ŁKK 90°

dn	60	80	100	113	120	130	140	150	160	180	200	225	250	300	350	400	450	500
A	144	154	164	170	174	179	184	189	194	204	214	226	239	264	329	354	379	404



Elbow ŁKK 93°

dn	60	80	100	113	120	130	140	150	160	180	200	225	250	300	350	400	450	500
A	142	151	161	167	170	175	180	184	189	199	208	220	232	255	319	343	367	390

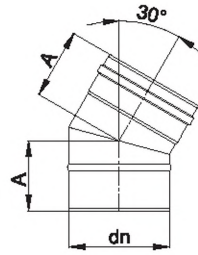


Elbow SKK 15°

dn	60	80	100	113	120	130	140	150	160	180	200	225	250	300	350	400	450	500
A	89	90	92	93	94	94	95	95	96	97	98	100	102	105	148	151	155	158

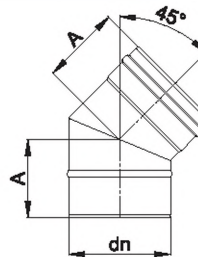
In the MKKS system in elements smaller than Ø250 the gasket is mounted in the female socket (see drawings), in elements bigger than Ø250 the gasket is mounted on the male part (see renders). In diameters 60, 80, 100mm the elements come together with the gaskets, in the remaining diameters the gaskets need to be ordered separately.

Elbow SKK 30°



dn	60	80	100	113	120	130	140	150	160	180	200	225	250	300	350	400	450	500
A	93	96	99	100	101	103	104	105	107	109	112	115	119	125	172	179	185	192

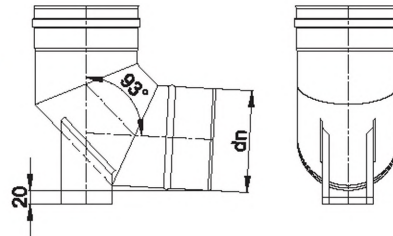
Elbow SKK 45°



dn	60	80	100	113	120	130	140	150	160	180	200	225	250	300	350	400	450	500
A	98	102	106	109	110	112	114	116	118	123	127	132	137	147	198	208	218	229

Elbow with support ŁPKK 93°

Dimensions as in ŁKK 93°



Available in diameters	60	80	100	113	120	130	140	150	160	180	200	225	250	300

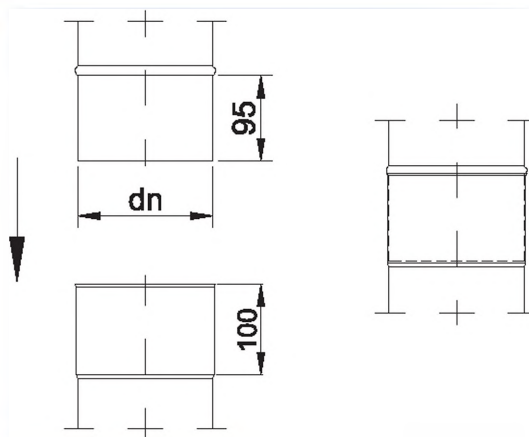
In the MKKS system in elements smaller than Ø250 the gasket is mounted in the female socket (see drawings), in elements bigger than Ø250 the gasket is mounted on the male part (see renders). In diameters 60, 80, 100mm the elements come together with the gaskets. In the remaining diameters the gaskets need to be ordered separately.

Condensate collector ODSZ	27
Cleanout KPRZ	27
Tee-piece TRSZ 45°	27
Reduction tee-piece TRRSZ 45°	28
Tee-piece TRSZ 90°	28
Reduction tee-piece TRRSZ 90°	28
Length RPZ L250	28
Length RPZ L 330	28
Length RPZ L 500	28
Length RPZ L 1000	28
Length with mounting ears RPZU L1000	29
Reduction RDZ MKSZ	29
Reduction rectangular to round RDZ O-P	30
Adjustable elbow ŁKZ 0-90°	30
Elbow with revision ŁKRSZ 90°	30
Elbow ŁKSZ 90°	30
Adjustable elbow SKZ 0-45°	31
Elbow SKSZ 30°	31
Elbow SKSZ 45°	31
Roof plate DHZ	31

MKSZ system information



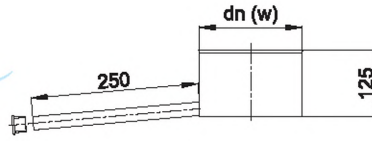
MKSZ system sockets



KEY					
Round shape	Gas, fuel oil	Core steel grade 1.4304	CE Certificate	System operating in wet working conditions	
Oval shape	Wood	Thickness of insulation 30 mm	7 YEAR Warranty	System operating in dry working conditions	
Rectangular shape	Solid fuels	Maximum operating temperature 200°C	System operating in negative pressure (without gasket)		
Used for ventilation purposes	Solid fuels, pea coal	Material thickness 0.5/0.8	System operating in positive pressure (with gasket)		

Condensate collectors

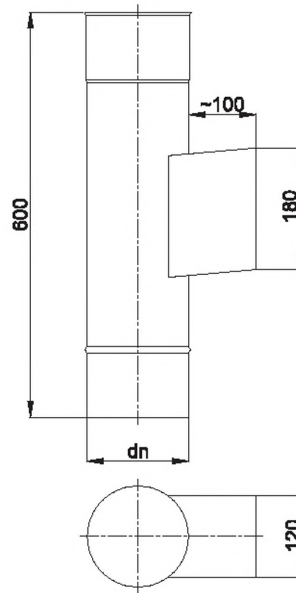
Condensate collector ODSZ



Available in diameters	120	130	140	150	160	180	200	225	250	300	350	400	450	500
------------------------	-----	-----	-----	-----	-----	-----	-----	-----	-----	-----	-----	-----	-----	-----

Cleanouts

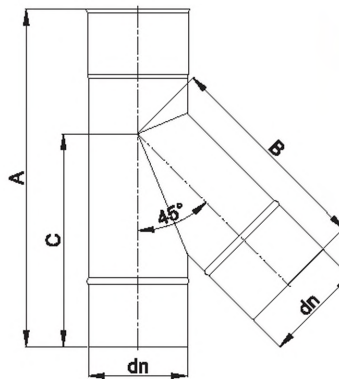
Cleanout KPRZ



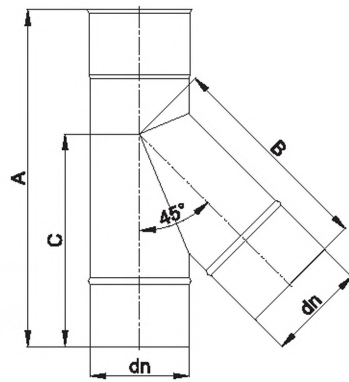
Available in diameters	120	130	140	150	160	180	200	225	250	300	350	400	450	500
------------------------	-----	-----	-----	-----	-----	-----	-----	-----	-----	-----	-----	-----	-----	-----

Tee-pieces

Tee-piece TRSZ 45°

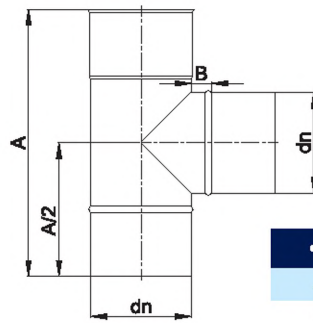


dn	120	130	140	150	160	180	200	225	250	300	350	400	450	500
A	480	480	500	515	530	555	580	600	660	740	900	1000	1150	
B	300	300	320	335	350	370	390	415	455	515	622	683	743	804
C	305	305	320	335	350	370	390	415	455	520	625	700	725	825



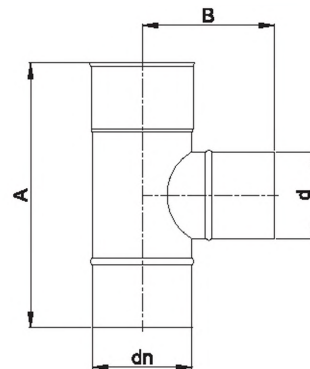
Reduction tee-piece TRRSZ 45°

Dimensions after agreement with the customer.



Tee-piece TRSZ 90°

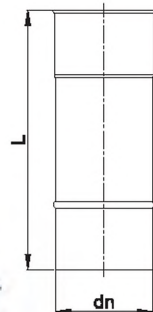
dn	120	130	140	150	160	180	200	225	250	300	350	400	450	500
A	400	400			460			500	500	600	65	700	750	800
B	30	30						50			95			



Reduction tee-piece TRRSZ 90°

Dimensions after agreement with the customer.

Lengths



Length RPZ L 250

Length RPZ L 330

Length RPZ L 500

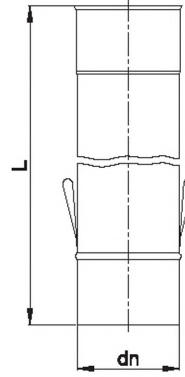
Length RPZ L 1000

dn	120	130	140	150	160	180	200	225	250	300	350	400	450	500
L	1000													
	500													
	250										330			

diameter	113	120	130	140	150	160	180	200	225	250	300	350	400	450	500
Number of pieces per pallet L1000	50	50	50	40	35	30	20	20	15	12	8	6	4	2	2
Number of pieces per pallet L500	100	100	100	80	70	60	40	40	30	24	16	12	8	4	4
Number of pieces per pallet L250 (L330)	200	200	200	160	140	120	80	80	60	48	32	24	16	8	8

Other lengths

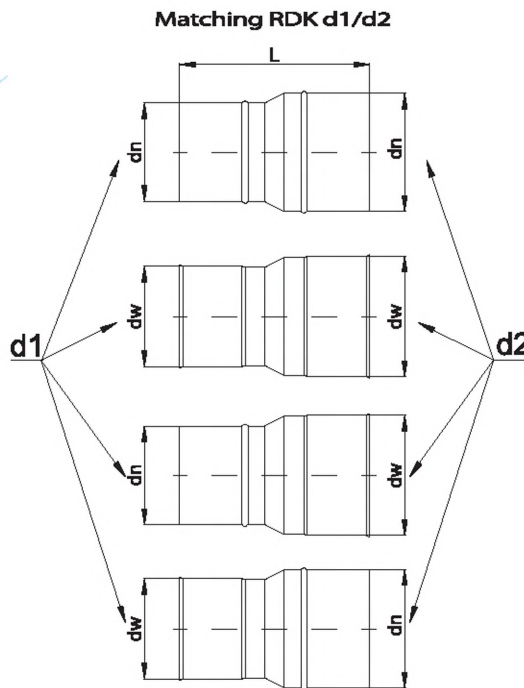
Length with mounting ears RPZU L1000



Available in diameters	120	130	140	150	160	180	200	225	250	300	350	400	450	500
------------------------	-----	-----	-----	-----	-----	-----	-----	-----	-----	-----	-----	-----	-----	-----

Reductions

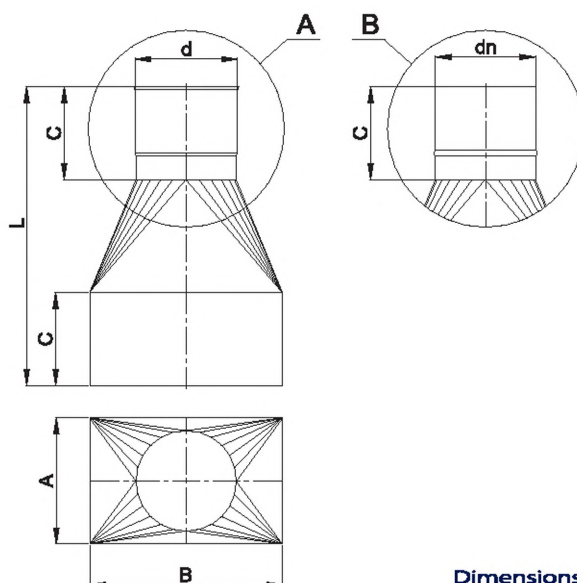
Reduction RDZ MKSZ



L dimension - after agreement with customer

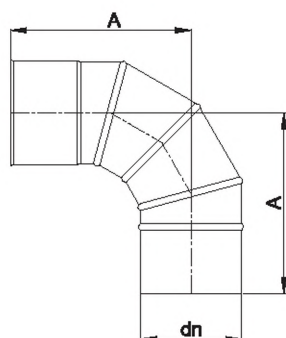
dn - nominal \varnothing Internal dimension / male end
dw - socket / female end

Reduction rectangular to round RDZ O-P



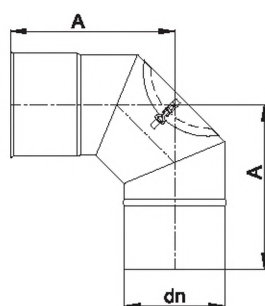
Dimensions after agreement with customer

Elbows



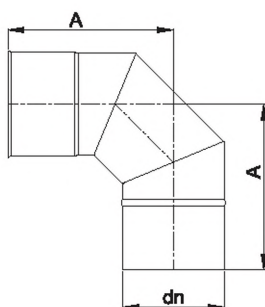
Adjustable elbow ŁKZ 0-90°

dn	120	130	140	150	160	180	200	225	250	300
A	231	258	269	270	284	299	301	318	318	331



Elbow with revision ŁKRSZ 90°

dn	120	130	140	150	160	180	200	225	250	300	350	400	450	500
A	231	240		245		270	280	280	310	335	360	385	420	452

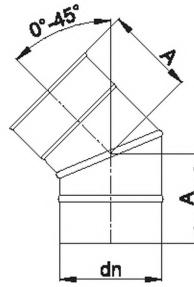


Elbow ŁKSZ 90°

dn	120	130	140	150	160	180	200	225	250	300	350	400	450	500
A	231	240		245		270	280	280	310	335	360	385	420	452

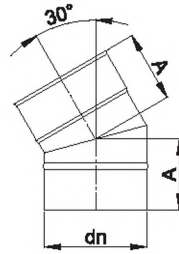
Adjustable elbow SKZ 0-45°

dn	120	130	140	150	160	180	200	225	250	300	350	400	450	500
A	145	145	165	170	175	180	180	190	195	210	235	260	270	



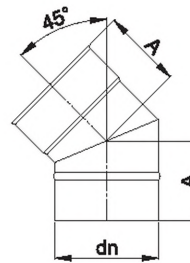
Elbow SKSZ 30°

dn	120	130	140	150	160	180	200	225	250	300	350	400	450	500
A	136	145	165	170	175	180	180	190	195	210	235	260	270	



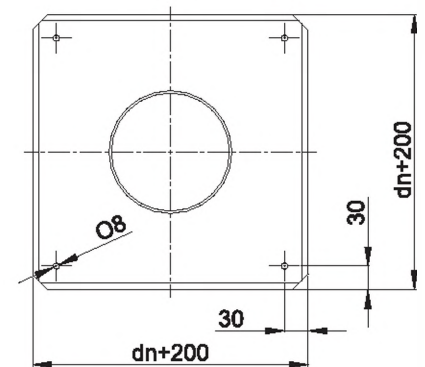
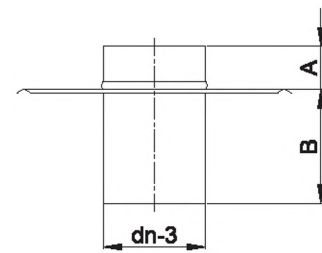
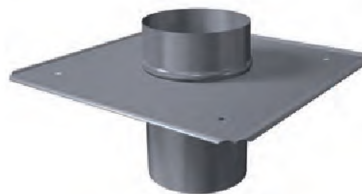
Elbow SKSZ 45°

dn	120	130	140	150	160	180	200	225	250	300	350	400	450	500
A	145	145	165	170	175	180	180	190	195	210	235	260	270	



Roof plates

Roof plate DHZ



dn	120	130	140	150	160	180	200	225	250	300	350	400	450	500
A	95													
B	200										250			

Oval condensate collector with pipe on the shorter side ODOA	33
Oval condensate collector with pipe on the longer side ODOB	33
Oval cleanout with outlet on the shorter side KPROA	33
Oval cleanout with outlet on the longer side KPROB	34
Oval tee-piece with outlet on the shorter side TROA 90°	34
Oval tee-piece with outlet on the longer side TROB 90°	34
Oval length RPO L250	35
Oval length RPO L 500	35
Oval length RPO L 1000	35
Roof plate DHO	35
Oval raincap AO	35

MKS Oval information



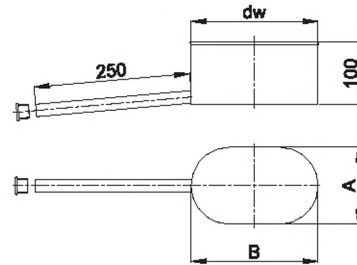
KEY			
	Round shape		Gas, fuel oil
	Oval shape		Wood
	Rectangular shape		Solid fuels
	Used for ventilation purposes		Solid fuels, pea coal
	Core steel grade		Thickness of insulation
	Maximum operating temperature		Material thickness
	CE Certificate		System operating in wet working conditions
	Warranty		System operating in dry working conditions
	System operating in negative pressure (without gasket)		System operating in positive pressure (with gasket)

Condensate collectors

Oval condensate collector with pipe on the shorter side ODOA

Recommended dimensions chart

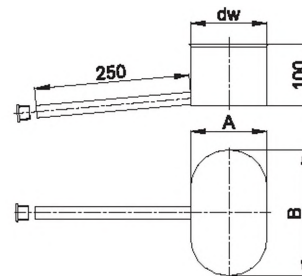
	140	150	160	180	190	200	220	230	240
110	X	X	X	X		X	X	X	X
120			X	X	X	X	X	X	X
130			X	X	X	X	X	X	X



Oval condensate collector with pipe on the longer side ODOB

Recommended dimensions chart

	140	150	160	180	190	200	220	230	240
110	X	X	X	X		X	X	X	X
120			X	X	X	X	X	X	X
130			X	X	X	X	X	X	X

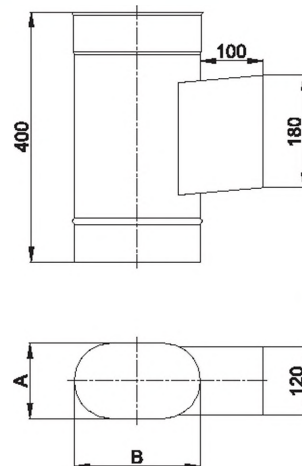


Cleanouts

Oval cleanout with outlet on the shorter side KPROA

Recommended dimensions chart

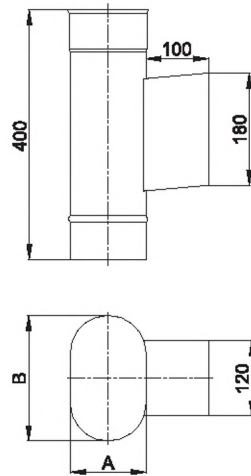
	140	150	160	180	190	200	220	230	240
110	X	X	X	X		X	X	X	X
120			X	X	X	X	X	X	X
130			X	X	X	X	X	X	X



L,d dimension - after agreement with customer

Remark: The Oval system is also available in heatproof version MKSZ. Dimensions of the particular MKSZ Oval elements are the same as in MKS Oval. The difference is in the sockets - in MKS system they are 60mm deep, in MKSZ 100mm.

Oval cleanout with outlet on the longer side KPROB

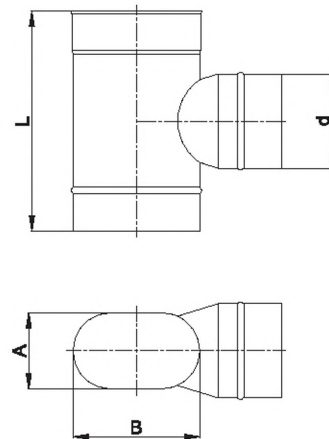


Recommended dimensions chart

	140	150	160	180	190	200	220	230	240
110	X	X	X	X		X	X	X	X
120			X	X	X	X	X	X	X
130			X	X	X	X	X	X	X

Tee-pieces

Oval tee-piece with outlet on the shorter side TROA 90°

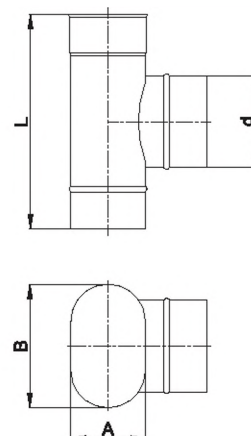


Recommended dimensions chart

	140	150	160	180	190	200	220	230	240
110	X	X	X	X		X	X	X	X
120			X	X	X	X	X	X	X
130			X	X	X	X	X	X	X

L,d dimension - after agreement with customer

Oval tee-piece with outlet on the longer side TROB 90°



Recommended dimensions chart

	140	150	160	180	190	200	220	230	240
110	X	X	X	X		X	X	X	X
120			X	X	X	X	X	X	X
130			X	X	X	X	X	X	X

L,d dimension - after agreement with customer

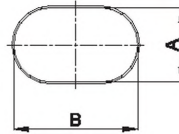
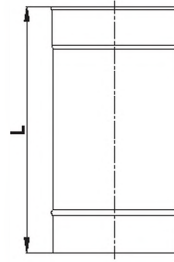
Remark: The Oval system is also available in heatproof version MKSZ. Dimensions of the particular MKSZ Oval elements are the same as in MKS Oval. The difference is in the sockets - in MKS system they are 60mm deep, in MKSZ 100mm.

Lengths

Oval length RPO L 250

Oval length RPO L 500

Oval length RPO L 1000

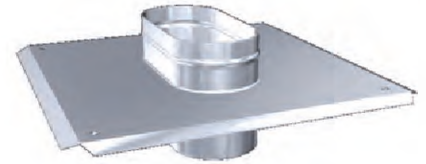
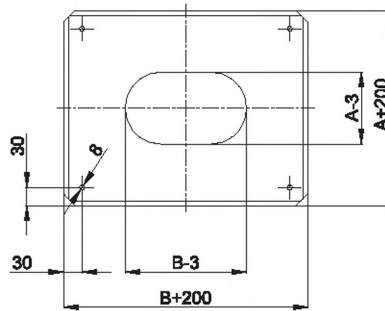
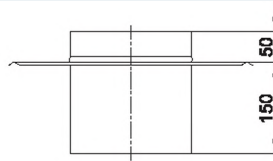


Recommended dimensions chart

	140	150	160	180	190	200	220	230	240
110	X	X	X	X		X	X	X	X
120			X	X	X	X	X	X	X
130			X	X	X	X	X	X	X

Roof plates

Oval roof plate DHO

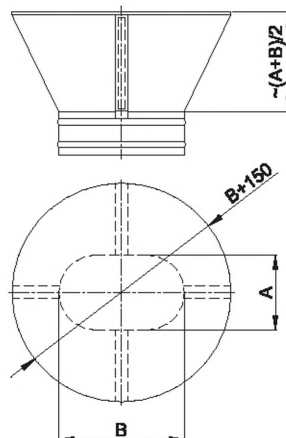


Recommended dimensions chart

	140	150	160	180	190	200	220	230	240
110	X	X	X	X		X	X	X	X
120			X	X	X	X	X	X	X
130			X	X	X	X	X	X	X

Chimney terminations

Oval raincap AO



Recommended dimensions chart

	140	150	160	180	190	200	220	230	240
110	X	X	X	X		X	X	X	X
120			X	X	X	X	X	X	X
130			X	X	X	X	X	X	X

Remark: The Oval system is also available in heatproof version MKSZ. Dimensions of the particular MKSZ Oval elements are the same as in MKS Oval. The difference is in the sockets - in MKS system they are 60mm deep, in MKSZ 100mm.

Flexible liner MK FLEX	37
Double-skin flex liner MK FLEX x2	37
Flexible aluminum liner MK FLEX ALU	37
Connections use	38
Connection ZFFKS flex - length	38
Connection ZFFZS flex - flex	38
Connection ZFFS flex - flex	38
Connection ZFRS flex - length	39

MKS

MKKS

MKKSZ

MKKS Oval

MK FLEX System

Single-wall system accessories

MKD

MKKD

Double-wall system accessories

MKDZ

MKDZ accessories

MKRS

MK Chimney sets

Other

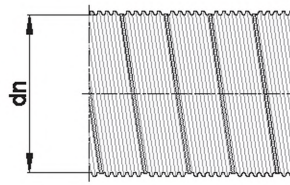
MK FLEX system information

MK Flex										
Flex ALU										

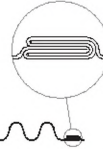
KEY	
 Round shape	 Gas, fuel oil
 Oval shape	 Wood
 Rectangular shape	 Solid fuels
 Used for ventilation purposes	 Solid fuels, pea coal
 Core steel grade	 CE Certificate
 Thickness of Insulation	 Warranty
 Maximum operating temperature	 System operating in negative pressure (without gasket)
 Material thickness	 System operating in positive pressure (with gasket)
	 System operating in wet working conditions
	 System operating in dry working conditions

Flex liners

Flexible liner MK FLEX



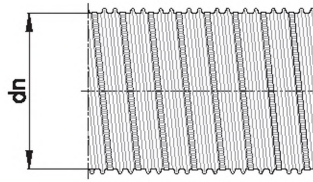
Cross section



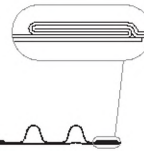
Available in diameters

80	90	100	110	113	120	125	130	140	150	160	180	200	225	250
----	----	-----	-----	-----	-----	-----	-----	-----	-----	-----	-----	-----	-----	-----

Double-skin flex liner MK FLEX x2



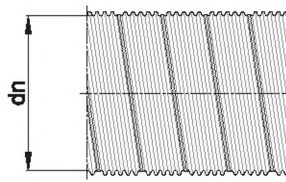
Cross section



Available in diameters

80	90	100	110	113	120	125	130	140	150	160	180	200	225	250
----	----	-----	-----	-----	-----	-----	-----	-----	-----	-----	-----	-----	-----	-----

Flexible aluminum liner MK FLEX ALU



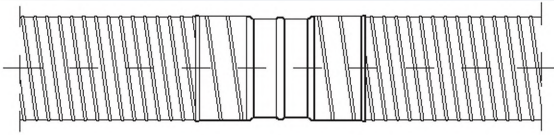
Cross section



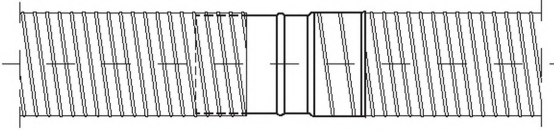
Available in diameters

80	90	100	110	113	120	125	130	140	150	160	180	200	250
----	----	-----	-----	-----	-----	-----	-----	-----	-----	-----	-----	-----	-----

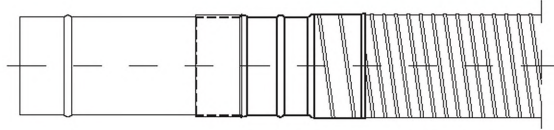
CONNECTIONS USE



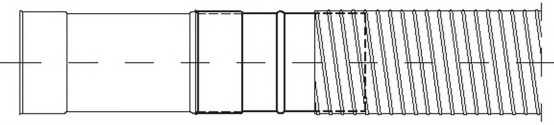
ZFFS



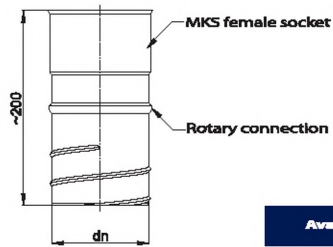
ZFFZS



ZFRS

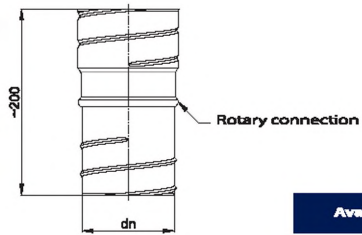


ZFFKS



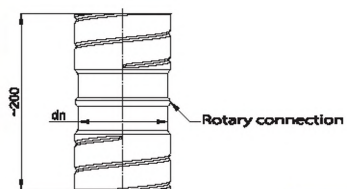
Connection ZFFKS flex - length

Available in diameters	80	100	113	120	130	140	150	160	180	200	225	250
------------------------	----	-----	-----	-----	-----	-----	-----	-----	-----	-----	-----	-----



Connection ZFFZS flex - flex

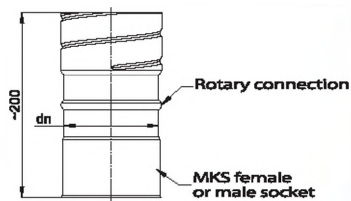
Available in diameters	80	100	113	120	130	140	150	160	180	200	225	250
------------------------	----	-----	-----	-----	-----	-----	-----	-----	-----	-----	-----	-----



Connection ZFFS flex - flex

Available in diameters	80	100	113	120	130	140	150	160	180	200	225	250
------------------------	----	-----	-----	-----	-----	-----	-----	-----	-----	-----	-----	-----

Connection ZFRS flex - length



Available in diameters	80	100	113	120	130	140	150	160	180	200	225	250
------------------------	----	-----	-----	-----	-----	-----	-----	-----	-----	-----	-----	-----

Cleanout prolongation Z+DR 120x180	41
Door DR	41
Closure K	41
Locking band OB	41
Construction clamp OBM	42
Stabilizer AH	42
Round draught regulator RCO	42
Inserted cover OW	43
Masking flange IP	43
Roof plate with ventilation and flange DHKK	43
Roof plate with ventilation and bolts DHS	44
Rain flange RKP	44
Roof flashing PDI 0°	44
Roof flashing PDI 15°	45
Roof flashing PDI 30°	45
Roof flashing PDI 45°	45
Deflector ADW	46
Rain cap NAPOLEON	46
Rain cap A	46
Rain cap AS	46
Gasket UKK	47

MKS

MKKS

MKSZ

MKS Oval

MK FLEX System

Single-wall system
accessories

MKD

MKKD

Double-wall system
accessories

MKDZ

MKDZ accessories

MKPS

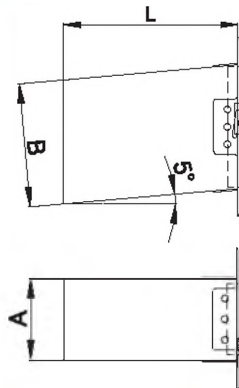
MK
Chimney sets

Other

Cleanout accessories

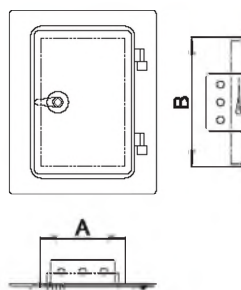
Cleanout prolongation Z+DR 120x180

A	118
B	178
L	100 150 250



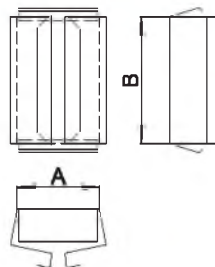
Door DR

dn	80-250	300-1000
A	120	200
B	180	300



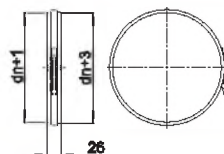
Closure K

channel size	120-180	200-300
A	111	191
B	170	290



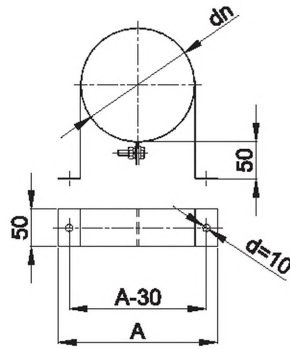
Locking bands

Locking band OB



Available in diameters	80	100	113	120	130	140	150	160	180	200	225	250	300	350	400	450	500	600	700	800	900	1000
------------------------	----	-----	-----	-----	-----	-----	-----	-----	-----	-----	-----	-----	-----	-----	-----	-----	-----	-----	-----	-----	-----	------

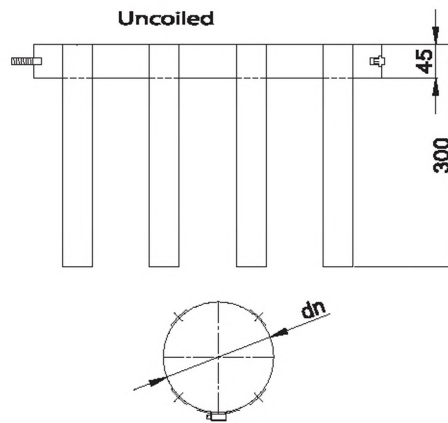
Construction clamps



Construction clamp OBM

dn	100	113	120	130	140	150	160	180	200
A	160	173	180	190	200	210	220	240	260

Length's accessories



Stabilizer AH

Available in diameters	60	80	100	113	120	130	140	150	160	180	200	225	250	300	350	400	450	500
------------------------	----	----	-----	-----	-----	-----	-----	-----	-----	-----	-----	-----	-----	-----	-----	-----	-----	-----

Draught regulators



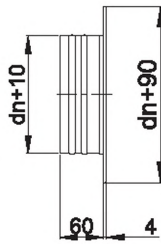
Round draught regulator RCO

For reducing too strong negative pressure in the chimney

Remark: Tee-Piece and draught adjuster need to be ordered separately

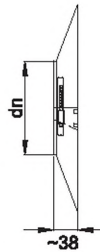
Masking accessories

Inserted cover OW



Available in diameters	113	120	130	140	150	160	180	200
------------------------	-----	-----	-----	-----	-----	-----	-----	-----

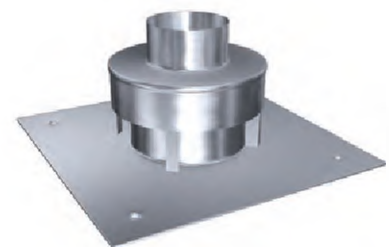
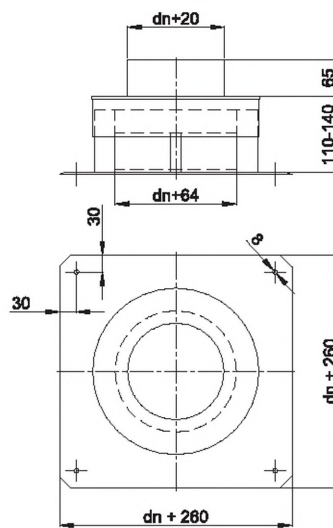
Masking flange IP



Available in diameters	60	80	100	113	120	130	140	150	160	180	200	225	250	300	350	400	450	500	600	700	800	900	1000
------------------------	----	----	-----	-----	-----	-----	-----	-----	-----	-----	-----	-----	-----	-----	-----	-----	-----	-----	-----	-----	-----	-----	------

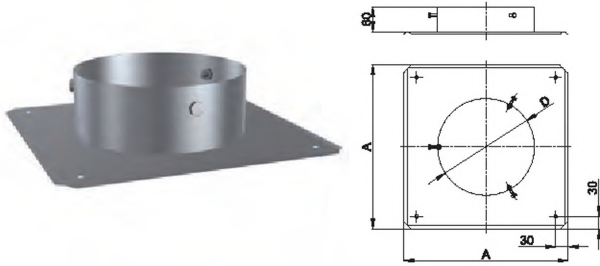
Roof plates

Roof plate with ventilation and flange DHKK



Available in diameters	113	120	130	140	150	160	180	200	225	250	300	350	400	450	500
------------------------	-----	-----	-----	-----	-----	-----	-----	-----	-----	-----	-----	-----	-----	-----	-----

Roof plate with ventilation and bolts DHS



dn	60	80	100	113	120	130	140	150	160	180	200	225	250
A	260	290	320	340	360	370	380	390	400	420	440	465	490
D	100	130	160	180	200	210	220	230	240	260	280	305	330

Flanges

Rain flange RKP

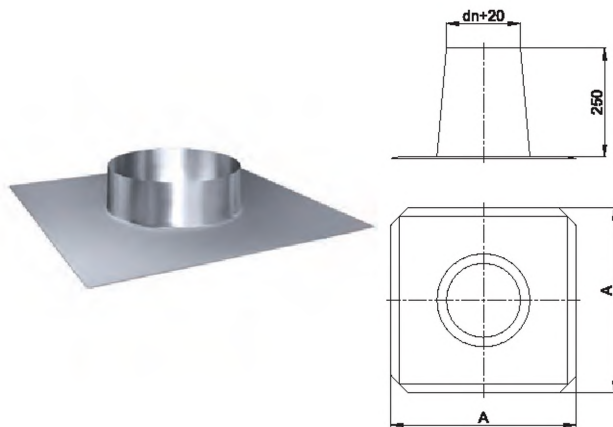


Available in diameters: 60 80 100 113 120 130 140 150 160 180 200 225 250 300 350 400 450 500 600 700 800 900 1000

Roof flashings

Roof flashing PDI 0°

Used for roofs of 0°-5° angle



dn	100	113	120	125	130	140	150	160	180	200	225	250	300	350	400	450	500
A	365	375	385	390	395	405	425	430	450	470	490	510	565	610	675	715	765

MKS

MIKS

MIKSZ

MIKS Oval

MIK FLEX System

MIK FLEX System

Single-wall system accessories

MIKD

MIKDD

Double-wall system accessories

MIKDDZ

MIKDDZ accessories

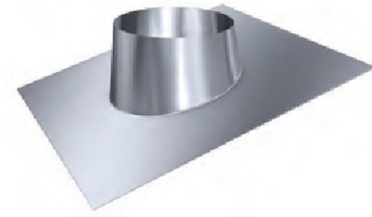
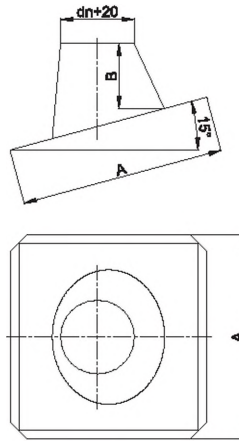
MIKPS

MIK Chimney sets

Other

Roof flashing PDI 15°

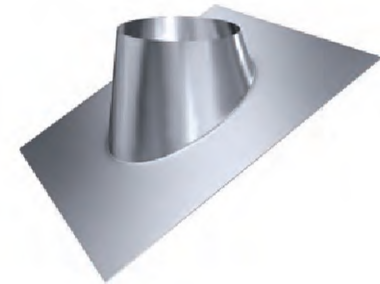
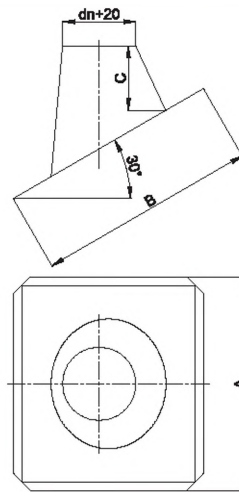
Used for roofs of 5°-20° angle



dn	100	113	120	125	130	140	150	160	180	200	225	250	300	350	400	450	500
A	420	430	440	445	450	460	470	480	530	550	580	610	660	710	770	820	870
B	150								200								

Roof flashing PDI 30°

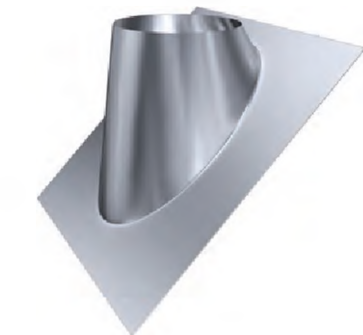
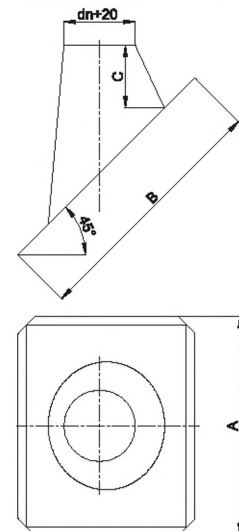
Used for roofs of 20°-35° angle



dn	100	113	120	125	130	140	150	160	180	200	225	250	300	330	400	450	500
A	435	450	460	465	470	485	495	505	560	585	615	640	700	760	820	875	930
B	450	465	475	480	485	500	510	520	580	605	635	665	730	790	850	910	970
C	150								200								

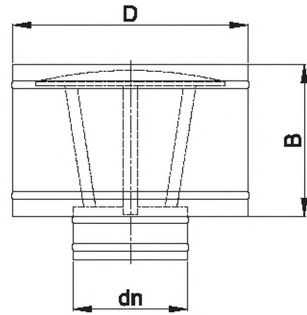
Roof flashing PDI 45°

Used for roofs of 35°-50° angle



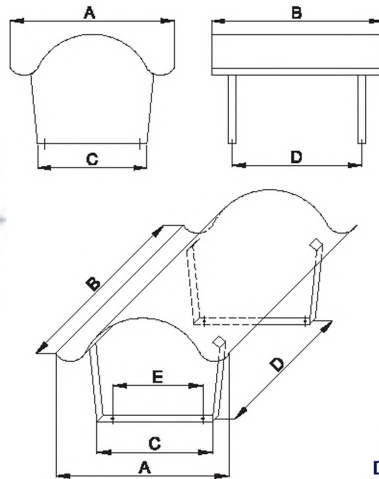
dn	100	113	120	125	130	140	150	160	180	200	225	250	300	350	400	450	500
A	460	475	485	490	495	510	520	535	595	620	655	685	750	810	875	940	1000
B	515	535	550	555	565	580	595	610	685	715	755	795	870	950	1030	1110	1190
C	150								200								

Chimney terminations



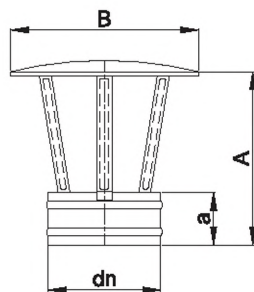
Deflector ADW

dn	100	113	120	130	140	150	160	180	200	225	250	300
D	200	300			310	390	430	470	520	570	670	
B	140	150	160	175	185	200	210	235	265	290	345	



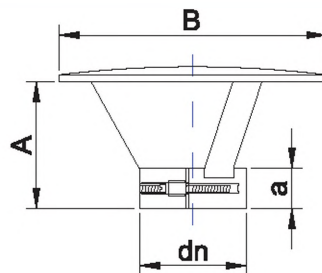
Raincap NAPOLEON

Dimensions after agreement with the customer



Raincap A

dn	60	80	90	100	113	120	130	140	150	160	180	200	225	250	300	350	400	450	500	
a	70						100													
A	140	145	155	175	185	190	205	215	230	240	265	290	320	350	410	470	530	590	650	
B	160			250							310	350	390	440	490	590	690	790	890	990
Bowl kind	Pushstamped bowl											Straight bowl								
Number of supports	3											4		6		8				



Raincap AS

dn	60	80	100
a	30		
A	85	95	110
B	160	200	250
Bowl kind	Pushstamped bowl	Straight bowl	Pushstamped bowl
Number of supports	3		

Other

**MK
Chimney sets**

MKPS

MKDZ accessories

MKDZ

**Double-wall system
accessories**

MKS

MKKS

MKSZ

MKS Oval

MK FLEX System

Single-wall system
accessories

MKD

MKKD

Gaskets

Gasket UKK



Available in diameters

60

80

100

113

120

130

140

150

160

180

200

225

250

300

350

400

450

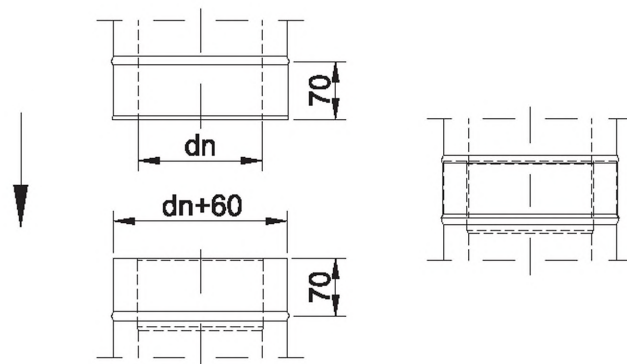
500



















Base anchor plate KFT	49
Anchor length KFTS	49
Transitional anchor plate KFTP	49
Continuous anchor plate KFS	49
End plug DS	50
Cleanout POT	50
Tee-piece AFTS 45°	50
Tee-piece AFTS 90°	51
Reduction tee-piece AFTSR 90°	51
Length RT L250	51
Length RT L 330	51
Length RT L 500	51
Length RT L 1000	51
Length with draught regulator PZO	52
Telescopic length RTJ	52
Length with measurement spout 1/2" RTM L250	52
Length with measurement spout 64x4 RTM L250	52
Reduction twin-wall to twin-wall RD MKD - MKD	53
Reduction twin-wall to single-wall RD MKD - MKS	53
Elbow BGT 15°	54
Elbow BGT 30°	54
Elbow BGT 45°	54
Elbow BGT 90°	54
Elbow with revision BGT 90°	55

MKD system information

PREMIUM											
STANDARD											

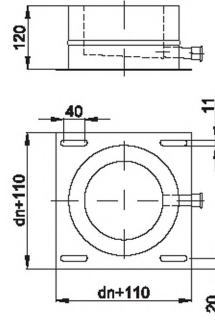
MKD system sockets



KEY		
 Round shape	 Gas, fuel oil	 Core steel grade
 Oval shape	 Wood	 Thickness of insulation
 Rectangular shape	 Solid fuels	 Maximum operating temperature
 Used for ventilation purposes	 Solid fuels, pea coal	 Material thickness
		 CE Certificate
		 Warranty
		 System operating in negative pressure (without gasket)
		 System operating in positive pressure (with gasket)
		 System operating in wet working conditions
		 System operating in dry working conditions

Anchor plates

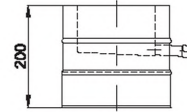
Base anchor plate KFT



Available in diameters

113	120	130	140	150	160	180	200	225	250	300	350	400	450	500	600	700	800	900	1000
-----	-----	-----	-----	-----	-----	-----	-----	-----	-----	-----	-----	-----	-----	-----	-----	-----	-----	-----	------

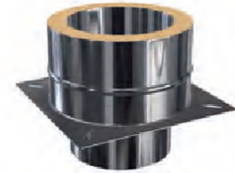
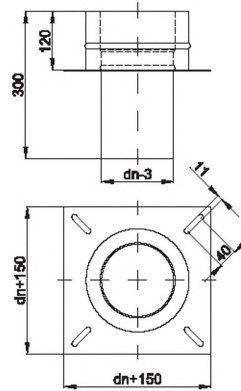
Anchor length KFTS



Available in diameters

113	120	130	140	150	160	180	200	225	250	300	350	400	450	500
-----	-----	-----	-----	-----	-----	-----	-----	-----	-----	-----	-----	-----	-----	-----

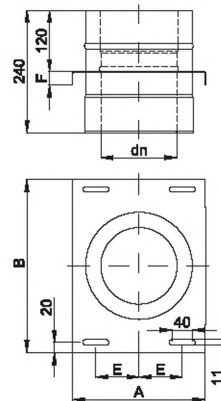
Transitional anchor plate KFTP



Available in diameters

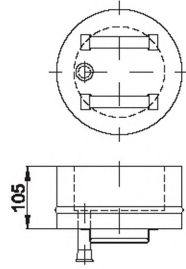
113	120	130	140	150	160	180	200	225	250	300	350	400	450	500	600	700	800	900	1000
-----	-----	-----	-----	-----	-----	-----	-----	-----	-----	-----	-----	-----	-----	-----	-----	-----	-----	-----	------

Continuous anchor plate KFS



dn	113	120	130	140	150	160	180	200	225	250	300	350	400	450	500	600	700	800	900	1000
A	223	230	240	250	260	270	290	310	335	360	410	460	510	560	610	710	810	910	1010	1110
B	303	310	320	330	340	350	370	390	415	440	490	540	590	640	690	790	890	990	1090	1190
E	70	75	76	80	85	90	100	110	122	135	160	185	210	235	260	310	360	410	460	510
F		25						30					35				40			

Closures

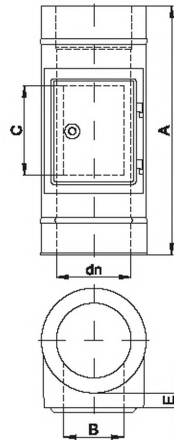


End plug DS

Available in diameters

113	120	130	140	150	160	180	200	225	250	300	350	400	450	500
-----	-----	-----	-----	-----	-----	-----	-----	-----	-----	-----	-----	-----	-----	-----

Cleanouts

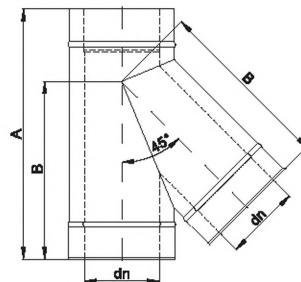


Cleanout POT

dn	113	120	130	140	150	160	180	200	225	250	300	350	400	450	500	600	700	800	900	1000	
A						500										570					
B						120										200					
C						180										300					
E						30										40					

Diameter	113	120	130	140	150	160	180	200	225	250	300	350	400	450	500
Number of pieces per pallet	32	32	32	30	30	20	24	24	16	16	10	6	4	4	4

Tee-pieces

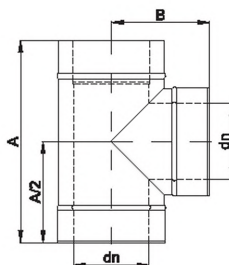


Tee-piece AFTS 45°

dn	113	120	130	140	150	160	180	200	225	250	300	350	400	450	500	600	700	800	900	1000	
A		460		500		520	550	580	615	650	720	800	870	940	1020	1170	1320	1470	1620	1780	
B		317	320	345	350	355	370	395	420	450	480	540	605	665	725	790	915	1040	1165	1290	1420

Diameter	113	120	130	140	150	160	180	200	225	250	300	350	400	450	500
Number of pieces per pallet	32	32	32	26	26	24	20	20	16	16	10	6	4	4	4

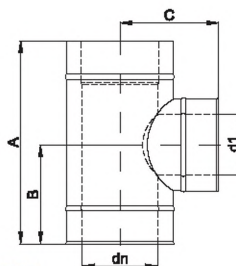
Tee-piece AFTS 90°



dn	113	120	130	140	150	160	180	200	223	230	300	330	400	450	500	600	700	800	900	1000	
A	400					450		500	520	570	620	670	720	770	900	1000	1150	1250	1350		
B	177	180	185	190	195	200	210	220	233	245	270	295	320	345	385	450	500	575	625	675	

Diameter	113	120	130	140	150	160	180	200	223	230	300	330	400	450	500
Number of pieces per pallet	32	32	32	26	26	24	20	20	16	16	10	6	4	4	4

Reduction tee-piece AFTSR 90°



Dimensions of the element after agreement with the customer

Available in diameters	113	120	130	140	150	160	180	200	223	230	300	330	400	450	500	600	700	800	900	1000
------------------------	-----	-----	-----	-----	-----	-----	-----	-----	-----	-----	-----	-----	-----	-----	-----	-----	-----	-----	-----	------

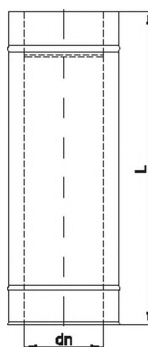
Lengths

Length RT L 250

Length RT L 330

Length RT L 500

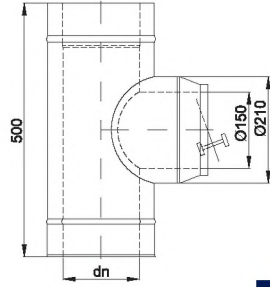
Length RT L 1000



dn	80	100	113	120	130	140	150	160	180	200	223	230	300	330	400	430	500	600	700	800	900	1000
L	1000																					
	500																					
	250											330										

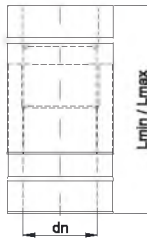
Diameter	113	120	130	140	150	160	180	200	223	230	300	330	400	450	500
Number of pieces per pallet L-1000	24	24	24	20	20	18	13	12	11	8	6	4	3	2	2
Number of pieces per pallet L-500	48	48	48	40	40	36	26	24	22	16	12	8	6	4	4
Number of pieces per pallet L-250 (L-330)	96	96	96	80	80	72	52	48	44	32	24	16	12	8	8

Other lengths



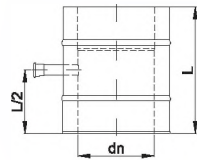
Length with draught regulator PZO

Available in diameters	113	120	130	140	150	160	180	200	225	250
------------------------	-----	-----	-----	-----	-----	-----	-----	-----	-----	-----



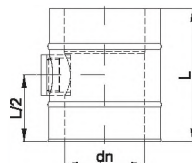
Telescopic length RTJ

Lp.	1	2	3	4	5	6	7	8	9	10	11	12	13	14	15	16	17	18	19	20
dn	113	120	130	140	150	160	180	200	225	250	300	350	400	450	500	600	700	800	900	1000
L min											370									
L max											500									



Length with measurement spout 1/2" RTM L250

Available in diameters	113	120	130	140	150	160	180	200	225	250	300	350	400	450	500
------------------------	-----	-----	-----	-----	-----	-----	-----	-----	-----	-----	-----	-----	-----	-----	-----



Length with measurement spout 64x4 RTM L250

Available in diameters	113	120	130	140	150	160	180	200	225	250	300	350	400	450	500
------------------------	-----	-----	-----	-----	-----	-----	-----	-----	-----	-----	-----	-----	-----	-----	-----

MKS

MKKS

MKKSZ

MKS Oval

MK FLEX System

Single-wall system accessories

MKD

MKDD

Double-wall system accessories

MKDDZ

MKDDZ accessories

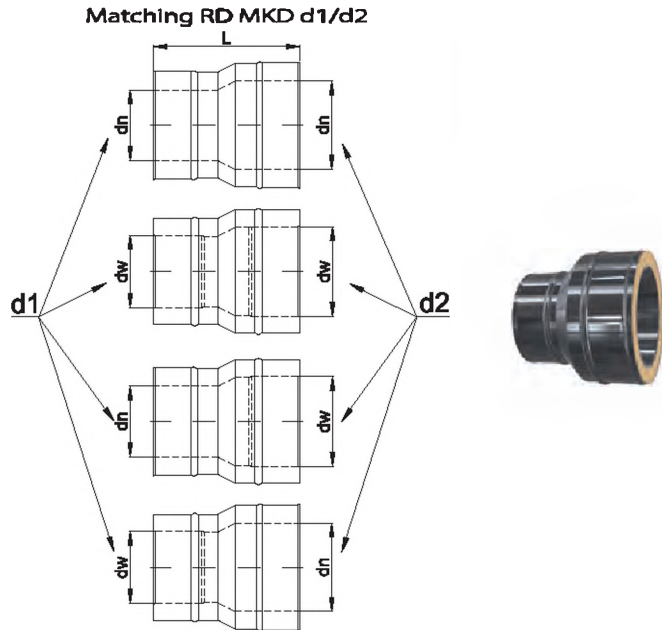
MKPS

MK Chimney sets

Other

Reductions

Reduction twin-wall to twin-wall RD MKD - MKD

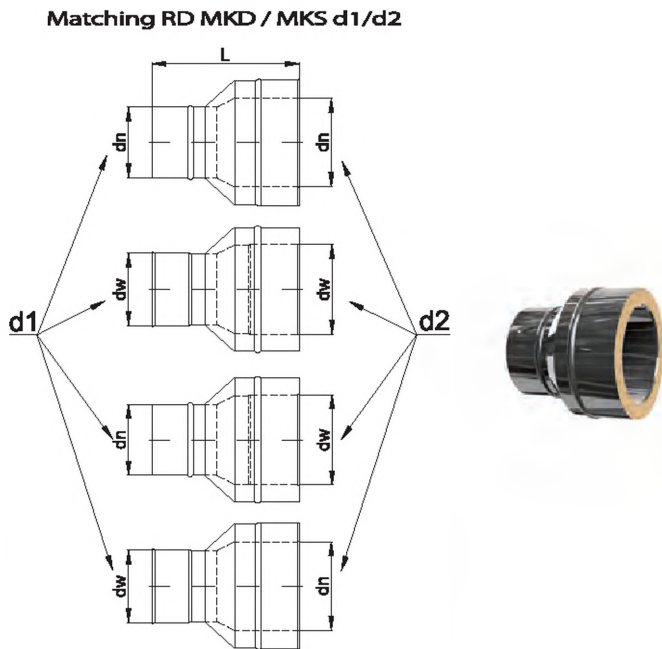


L dimension - after agreement with the customer

dn - nominal Ø Internal dimension / male end
dw - socket / female end

Available in diameters	113	120	130	140	150	160	180	200	225	250	300	350	400	450	500	600	700	800	900	1000
------------------------	-----	-----	-----	-----	-----	-----	-----	-----	-----	-----	-----	-----	-----	-----	-----	-----	-----	-----	-----	------

Reduction twin-wall to single-wall RD MKD - MKS



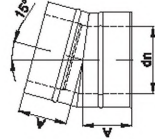
L dimension - after agreement with the customer

dn - nominal Ø Internal dimension / male end
dw - socket / female end

Available in diameters	113	120	130	140	150	160	180	200	225	250	300	350	400	450	500	600	700	800	900	1000
------------------------	-----	-----	-----	-----	-----	-----	-----	-----	-----	-----	-----	-----	-----	-----	-----	-----	-----	-----	-----	------

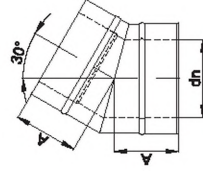
Elbows

Elbow BGT 15°

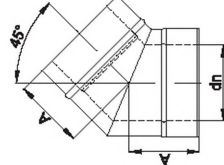


dn	113	120	130	140	150	160	180	200	225	250	300	350	400	450	500	600	700	800	900	1000
A	106	107	108	109	111	112	114	115	119	122	125	129	132	140	160	170	180	190	200	200

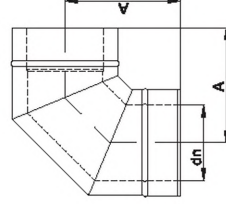
Elbow BGT 30°



dn	113	120	130	140	150	160	180	200	225	250	300	350	400	450	500	600	700	800	900	1000
A	118	119	120	122	123	124	127	130	133	137	143	150	157	163	170	200	210	220	240	260



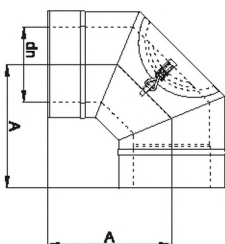
dn	113	120	130	140	150	160	180	200	225	250	300	350	400	450	500	600	700	800	900	1000
A	131	132	134	136	138	140	145	149	154	159	170	180	190	201	211	240	270	290	310	330



Elbow BGT 90°

dn	113	120	130	140	150	160	180	200	225	250	300	350	400	450	500	600	700	800	900	1000
A	210	213	218	223	228	233	243	253	266	278	303	328	353	378	403	462	532	592	632	682

Elbow with revision BGT 90°



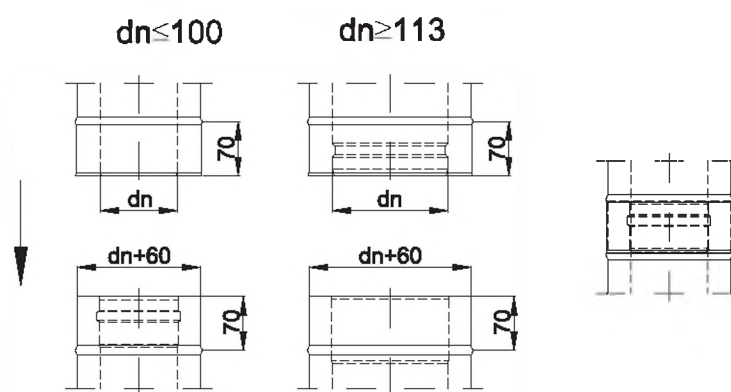
dn	113	120	130	140	150	160	180	200	225	250	300	350	400	450	500	600	700	800	900	1000
A	227	231	236	241	246	251	261	260	266	278	303	328	353	378	403	482	532	582	632	682

Base anchor plate KFKS	57
Transitional anchor plate KFKP	57
Continuous anchor plate KFSK	57
Cleanout PATK	58
Tee-piece AFKS 45°	58
Tee piece AFKS 87°	58
Reduction tee-piece AFKSR 87°	58
Length RTK L 250	59
Length RTK L 500	59
Length RTK L 1000	59
Telescopic length RKJ	59
Length with measurement spout 1/2" RTKM L250	59
Length with measurement spout 64x4 RTKM L250	60
Reduction twin-wall to twin-wall RD MKKD - MKKD	60
Reduction twin-wall to single-wall RD MKKD - MKKS	61
Elbow BGK 15°	61
Elbow BGK 30°	61
Elbow BGK 45°	62
Elbow BGK 93°	62
Elbow with revision BGRK 93°	62
Bearing elbow with revision GBKK 93°	62
Elbow with support and revision GBSK 93°	63

MKKD system informaton

PREMIUM														
STANDARD														

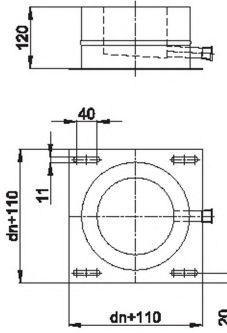
MKKD system sockets



KEY									
	Round shape		Gas, fuel oil		Core steel grade		CE Certificate		System operating in wet working conditions
	Oval shape		Wood		Thickness of insulation		Warranty		System operating in dry working conditions
	Rectangular shape		Solid fuels		Maximum operating temperature		System operating in negative pressure (without gasket)		
	Used for ventilation purposes		Solid fuels, pea coal		Material thickness		System operating in positive pressure (with gasket)		

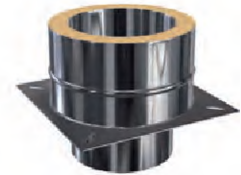
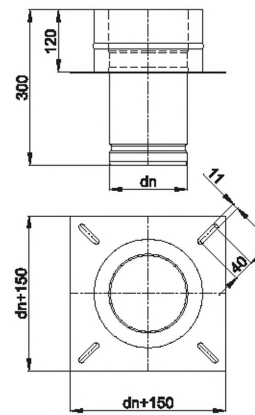
Anchor plates

Base anchor plate KFKS



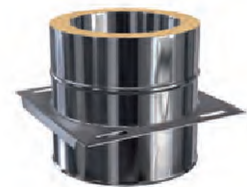
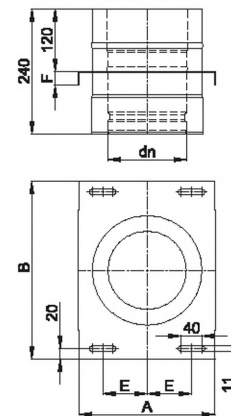
Available in diameters	80	100	113	120	130	140	150	160	180	200	225	250	300	350	400	450	500
------------------------	----	-----	-----	-----	-----	-----	-----	-----	-----	-----	-----	-----	-----	-----	-----	-----	-----

Transitional anchor plate KFKP



Available in diameters	80	100	113	120	130	140	150	160	180	200	225	250	300	350	400	450	500
------------------------	----	-----	-----	-----	-----	-----	-----	-----	-----	-----	-----	-----	-----	-----	-----	-----	-----

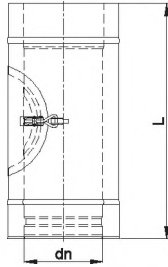
Continuous anchor plate KFSK



dn	80	100	113	120	130	140	150	160	180	200	225	250	300	350	400	450	500
A	190	210	223	230	240	250	260	270	290	310	335	360	410	460	510	560	610
B	270	290	303	310	320	330	340	350	370	390	415	440	490	540	590	640	690
E	55	65	70	75	76	80	85	90	100	110	122	135	160	185	210	235	260
F				25					30						35		

Cleanouts

Cleanout PATK

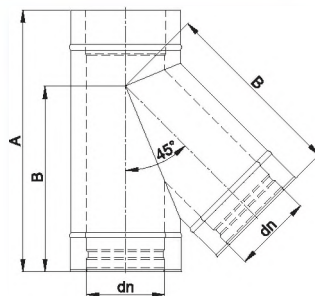


dn	80	100	113	120	130	140	150	160	180	200	225	250	300	350	400	450	500	
L	400								450									

Diameter	80	100	113	120	130	140	150	160	180	200	225	250	300	350	400	450	500
Number of pieces per pallet	36	36	32	32	32	30	30	30	24	24	16	16	10	6	4	4	4

Tee-pieces

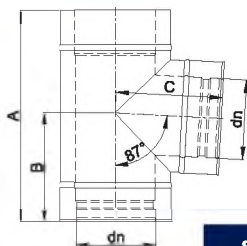
Tee-piece AFKS 45°



dn	80	100	113	120	130	140	150	160	180	200	225	250	300	350	400	450	500
A	430		460			500		520	550	580	615	650	720	800	870	940	1020
B	285	295	317	320	345	350	355	370	395	420	450	480	540	605	665	725	790

Diameter	80	100	113	120	130	140	150	160	180	200	225	250	300	350	400	450	500
Number of pieces per pallet	32	32	32	26	26	24	20	20	16	16	10	6	4	4	4	4	4

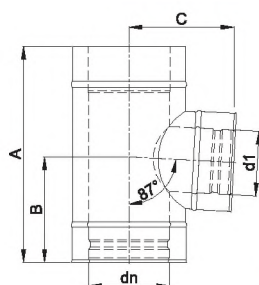
Tee-piece AFKS 87°



dn	80	100	113	120	130	140	150	160	180	200	225	250	300	350	400	450	500
A	350	205	400				450		500	520	570	620	670	720	770		
B	179	186	205	205	205	206	231	231	232	257	268	294	321	347	373	400	
C	164	174	181	185	190	195	201	206	216	227	240	253	280	306	332	359	400

Diameter	80	100	113	120	130	140	150	160	180	200	225	250	300	350	400	450	500
Number of pieces per pallet	32	32	32	26	26	24	20	20	16	16	10	6	4	4	4	4	4

Reduction tee-piece AFKSR 87°



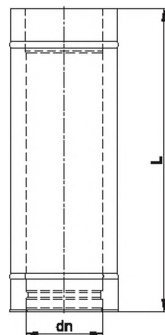
Dimensions of the element after agreement with the customer.

Lengths

Length RTK L 250

Length RTK L 500

Length RTK L 1000

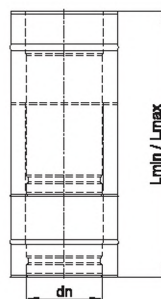


dn	80	100	113	120	130	140	150	160	180	200	225	250	300	350	400	450	500
L	1000																
	500																
	250																

średnica	80	100	113	120	130	140	150	160	180	200	225	250	300	350	400	450	500
Number of pieces per pallet L-1000	40	30	24	24	24	20	20	18	13	12	11	8	6	4	3	2	2
Number of pieces per pallet L-500	80	60	48	48	48	40	40	36	26	24	22	16	12	8	6	4	4
Number of pieces per pallet L-250	160	120	96	96	96	80	80	72	52	48	44	32	24	16	12	8	8

Other lengths

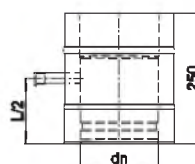
Telescopic length RKJ



Available in diameters	80	100	113	120	130	140	150	160	180	200	225	250	300	350	400	450	500
------------------------	----	-----	-----	-----	-----	-----	-----	-----	-----	-----	-----	-----	-----	-----	-----	-----	-----

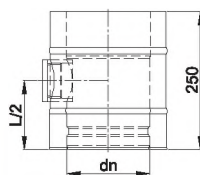
Remark: Gaskets for the element (2pcs) need to be ordered separately.

Pipe with measurement spout 1/2" RTKM L250



Available in diameters	80	100	113	120	130	140	150	160	180	200	225	250	300	350	400	450	500
------------------------	----	-----	-----	-----	-----	-----	-----	-----	-----	-----	-----	-----	-----	-----	-----	-----	-----

Pipe with measurement spout 6x4 RTKM L250

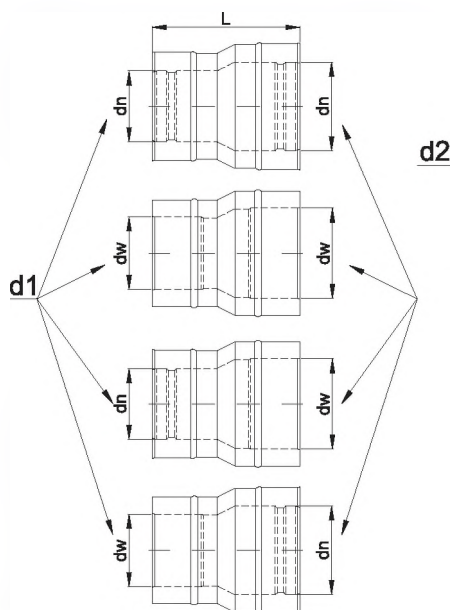


Available in diameters	113	120	130	140	150	160	180	200	225	250	300	350	400	450	500
------------------------	-----	-----	-----	-----	-----	-----	-----	-----	-----	-----	-----	-----	-----	-----	-----

Reductions

Reduction twin-wall to twin-wall RD MKKD - MKKD

Matching RD MKKD d1/d2



dn - nominal \varnothing internal dimension / male end
dw - socket / female end

L dimension after agreement with the customer

Available in diameters	113	120	130	140	150	160	180	200	225	250	300	350	400	450	500	600	700	800	900	1000
------------------------	-----	-----	-----	-----	-----	-----	-----	-----	-----	-----	-----	-----	-----	-----	-----	-----	-----	-----	-----	------

MKS

MKKS

MKKSZ

MKS Oval

MK FLEX System

Single-wall system accessories

MKID

MKRD

Double-wall system accessories

MKIDZ

MKIDZ accessories

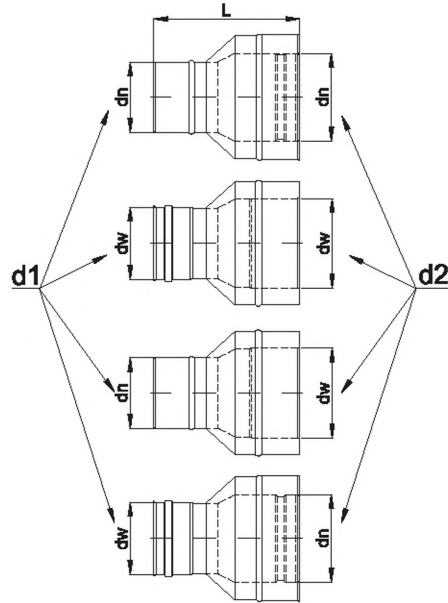
MKPS

MK Chimney sets

Other

Reduction twin-wall to single-wall RD MKKD - MKKS

Matching RD MKKD / MKKS d1/d2

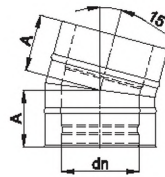


L dimension after agreement with the customer.

dn - nominal Ø internal dimension / male end
dw - socket / female end

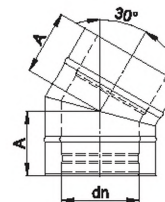
Elbows

Elbow BGK 15°

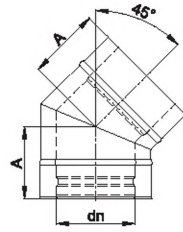


dn	80	100	113	120	130	140	150	160	180	200	225	250	300	350	400	450	500
A	104	106	107	108	109	111	112	114	115	119	122	125	129	132			

Elbow BGK 30°

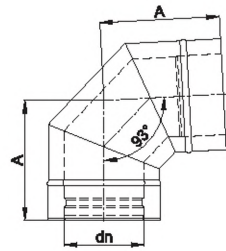


dn	80	100	113	120	130	140	150	160	180	200	225	250	300	350	400	450	500
A	114	116	118	119	120	122	123	124	127	130	133	137	143	150	157	163	170



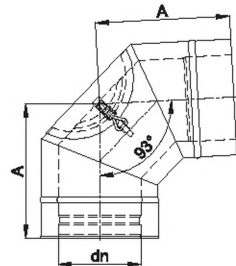
Elbow BGK 45°

dn	80	100	113	120	130	140	150	160	180	200	225	250	300	350	400	450	500
A	124	128	131	132	134	136	138	140	145	149	154	159	170	180	190	201	211



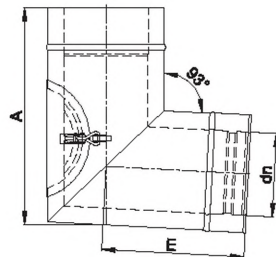
Elbow BGK 93°

dn	80	100	113	120	130	140	150	160	180	200	225	250	300	350	400	450	500
A	189	198	205	208	213	217	222	227	236	246	258	270	293	317	341	365	388



Elbow with revision BGRK 93°

dn	80	100	113	120	130	140	150	160	180	200	225	250	300	350	400	450	500
A	227	226	225	230	238	239	241	257	260	260	258	270	293	317	341	365	388



Bearing elbow with revision GBKK 93°

dn	80	100	113	120	130	140	150	160	180	200	225	250	300	350	400	450	500
A	330	350	357	360	380	385	390	395	405	425	438	450	475	500	550	600	650
E	160	170	176	180	185	190	195	200	210	220	232	245	270	295	320	345	370

MKS

MKKS

MKKSZ

MKS Oval

MK FLEX System

Single-wall system
accessories

MKID

MKID

Double-wall system
accessories

MKIDZ

MKIDZ accessories

MKPS

Chimney sets
MK

Other

Other

**MK
Chimney sets**

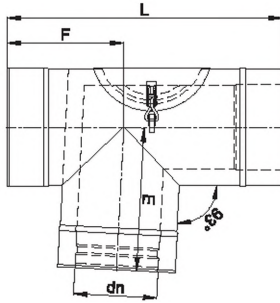
MKPS

MKDZ accessories

MKDZ

**Double-wall system
accessories**

Elbow with support and revision GBSK 93°



dn	80	100	113	120	130	140	150	160	180	200	225	250	300	350	400	450	500
L	435	455	462	465	485	490	495	500	510	530	543	555	580	605	655	705	755
E	160	170	176	180	185	190	195	200	210	220	232	245	270	295	335	360	385
F	175	185	192	195	200	205	210	215	225	235	248	260	285	310	335	360	385

Console WKT 1	65
Console WKT 2	65
Console WKT 3	65
Console WS	66
Console WSP	66
Console WKK	66
Masking flange WBT	66
Base length SFT	67
Flue support SRT	67
Construction clamp WHT 1	68
Construction clamp WHT 2	68
Construction clamp WHT 3	68
Construction clamp SBK	69
Construction clamp SBT	69
Narrow locking band KBT	69
Wide locking band KBTS	69
Reinforced locking band KBS	70
Reinforced locking band for guy ropes KBSO	70
End cover END	70
Rain flange RKT	70
Ceiling sleeve DFT	71
Roof flashing DDT 0°	71
Roof flashing DDT 15°	71
Roof flashing DDT 30°	72
Roof flashing DDT 45°	72
Roof flashing with lead plate DDTO 15°	72
Roof flashing with lead plate DDTO 30°	73
Roof flashing with lead plate DDTO 45°	73
Raincap RHTS	73
Rain cap for MAT mounth end RHT WM	74
Mouth end MAT	74
Gasket UKK	74

MKS

MIKS

MIKSZ

MKS Oval

MIK FLEX System

Single-wall system
accessories

MKD

MKDD

Double-wall system
accessories

MKDDZ

MKDDZ accessories

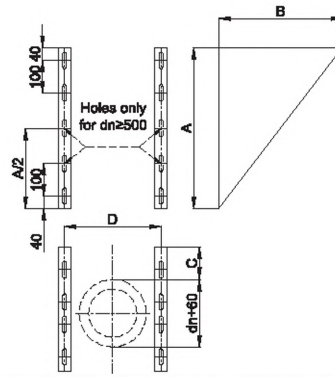
MKPS

MIK
Chimney sets

Other

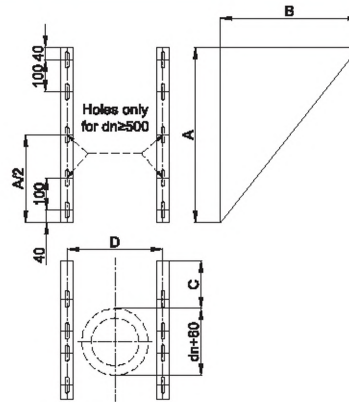
Consoles

Console WKT 1



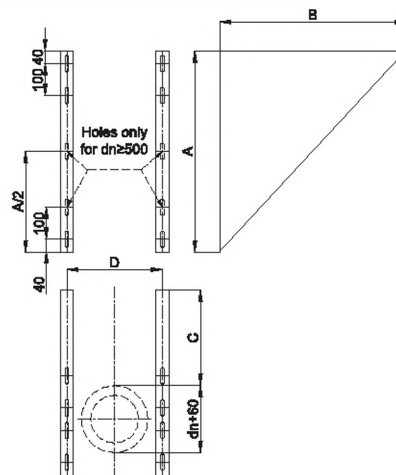
dn	100	113	120	130	140	150	160	180	200	225	250	300	350	400	450	500	600	700	800	900	1000
A	420		450		500		550		600	650	700	750	800	850	950	1050	1150	1250	1350		
B	328	348	355	365	375	385	395	415	435	460	485	535	585	635	685	735	835	935	1035	1135	1235
C	50-150																				
D	250	263	270	280	290	300	310	330	350	375	400	450	500	550	600	650	750	850	950	1050	1150

Console WKT 2

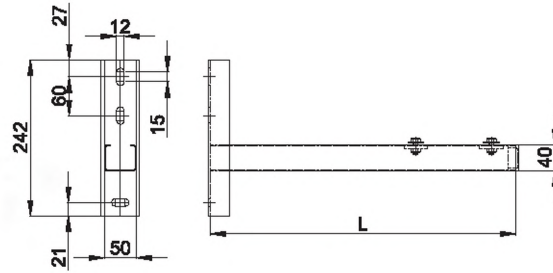


dn	100	113	120	130	140	150	160	180	200	225	250	300	350	400	450	500	600	700	800	900	1000
A	470		500		550		600		650	700	750	800	850	900	1000	1100	1700	1300	1400		
B	378	398	405	415	425	435	445	465	485	510	535	585	635	685	735	785	885	985	1085	1185	1285
C	100-200																				
D	250	263	270	280	290	300	310	330	350	375	400	450	500	550	600	650	750	850	950	1050	1150

Console WKT 3

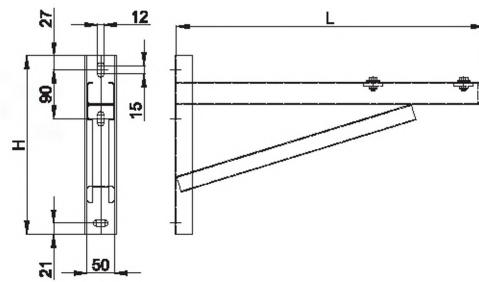


dn	100	113	120	130	140	150	160	180	200	225	250	300	350	400	450	500	600	700	800	900	1000
A	550		580		630		680		730	830	930	1000	1100	1200	1300	1400	1500	1600	1700		
B	528	548	555	565	575	585	595	615	635	660	685	735	785	835	885	935	1035	1135	1235	1335	1435
C	250-350																				
D	250	263	270	280	290	300	310	330	350	375	400	450	500	550	600	650	750	850	950	1050	1150



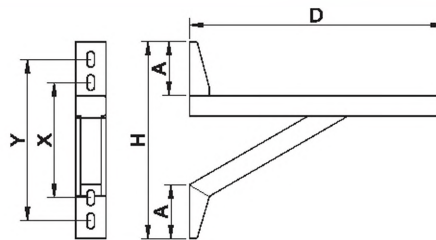
Console WS

L	325	475
---	-----	-----



Console WSP

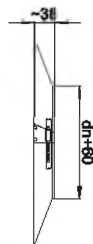
L	570	630	720	820	920	1120
---	-----	-----	-----	-----	-----	------



Console WKK

D	473	598	748	935
H	365	422	724	781
X	214	275	328	383
Y	300	361	555	609
A	100	100	200	200

Masking flanges



Masking flange WBT

Available in diameters	80	100	113	120	130	140	150	160	180	200	225	250	300	350	400	450	500	600	700	800	900	1000
------------------------	----	-----	-----	-----	-----	-----	-----	-----	-----	-----	-----	-----	-----	-----	-----	-----	-----	-----	-----	-----	-----	------

MKS

MKKS

MKKSZ

MKS Oval

MK FLEX System

Single-wall system accessories

MKD

MKDD

Double-wall system accessories

MKDDZ

MKDDZ accessories

MKPS

Chimney sets

Other

Other

MK
Chimney sets

MKPS

MKDZ accessories

MKDZ

Double-wall system
accessories

Available in diameters

80

90

100

113

120

130

140

150

160

180

200

225

250

300

350

400

450

500

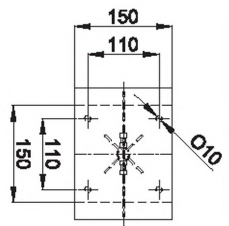
600

700

800

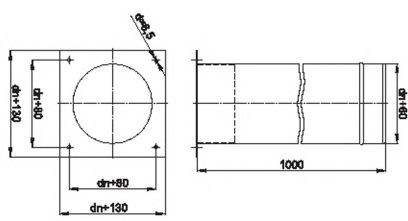
900

1000



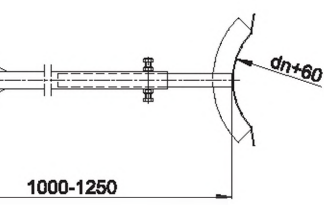
Supports

Length support SFT



Available in diameters
80
90
100
113
120
130
140
150
160
180
200
225
250
300
350
400
450
500

Flue support SRT



MKS

MKKS

MKSZ

MKS Oval

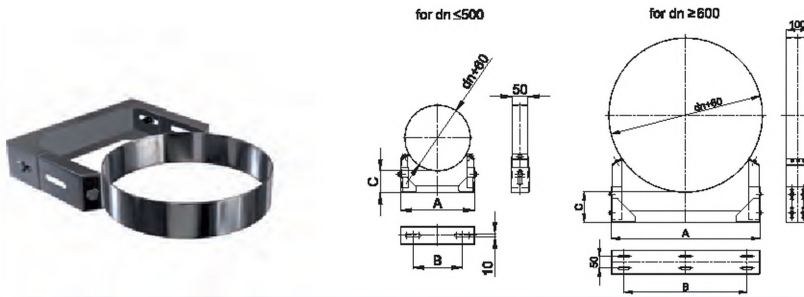
MK FLEX System

Single-wall system accessories

MKD

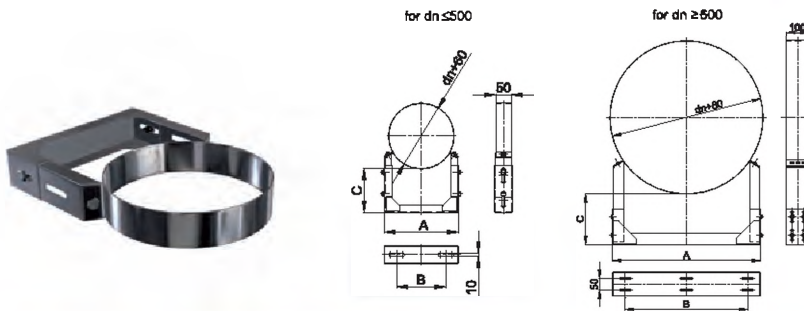
MKKD

Construction clamp WHT 1



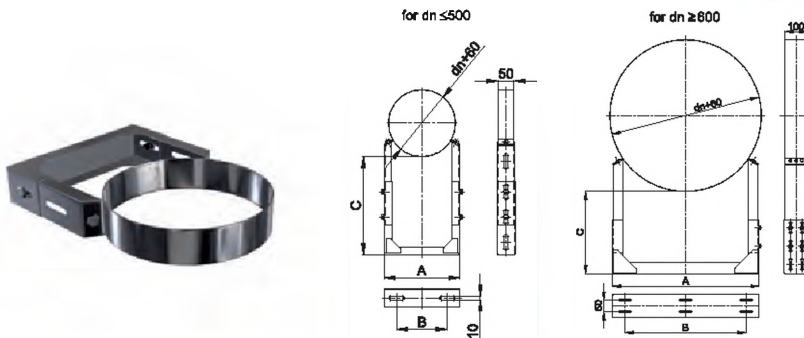
dn	80	100	113	120	130	140	150	160	180	200	225	250	300	350	400	450	500	600	700	800	900	1000
A	180	198	208	214	222	231	240	248	266	283	305	326	370	413	456	500	540	640	740	840	940	1040
B	100	118	128	134	142	151	160	168	186	203	225	246	290	322	376	420	463	530	625	770	870	970
C (wyk. 1)	65-105	65-105	98-131	96-129	96-129	91-124	88-122	87-121	82-115	77-110	70-103	64-98	51-84	65-112	86-159	73-147	64-137	120-190	90-170	50-130	50-95	70-150

Construction clamp WHT 2



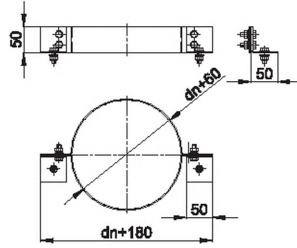
dn	80	100	113	120	130	140	150	160	180	200	225	250	300	350	400	450	500	600	700	800	900	1000
A	180	198	208	214	222	231	240	248	266	283	305	326	370	413	456	500	540	640	740	840	940	1040
B	100	118	128	134	142	151	160	168	186	203	225	246	290	322	376	420	463	530	625	770	870	970
C (wyk. 2)	120-200	165-245	125-171	122-169	121-168	117-164	115-162	114-161	108-155	103-150	130-201	124-198	111-184	98-172	156-229	143-217	134-207	210-240	180-230	140-220	105-185	130-210

Construction clamp WHT 3



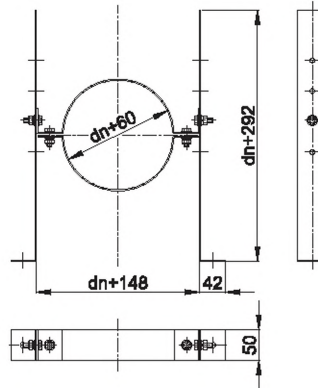
dn	80	100	113	120	130	140	150	160	180	200	225	250	300	350	400	450	500	600	700	800	900	1000
A	180	198	208	214	222	231	240	248	266	283	305	326	370	413	456	500	540	640	740	840	940	1040
B	100	118	128	134	142	151	160	168	186	203	225	246	290	322	376	420	463	530	625	770	870	970
C (wyk. 3)	235-355	230-350	228-341	226-339	225-338	221-334	218-332	217-331	212-325	207-320	200-313	194-308	281-394	268-382	256-369	243-357	234-347	270-390	240-390	200-360	165-325	130-290

Construction clamp SBK



Available in diameters	80	100	113	120	130	140	150	160	180	200	225	250	300	350	400	450	500
------------------------	----	-----	-----	-----	-----	-----	-----	-----	-----	-----	-----	-----	-----	-----	-----	-----	-----

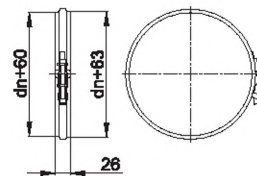
Construction clamp SBT



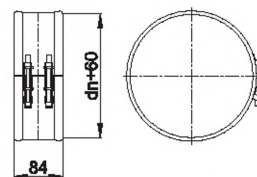
Available in diameters	80	100	113	120	130	140	150	160	180	200	225	230
------------------------	----	-----	-----	-----	-----	-----	-----	-----	-----	-----	-----	-----

Locking bands

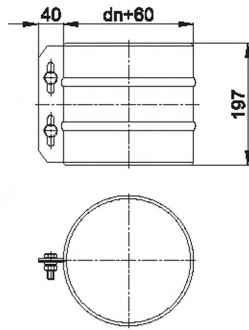
Narrow locking band KBT



Wide locking band KBTS

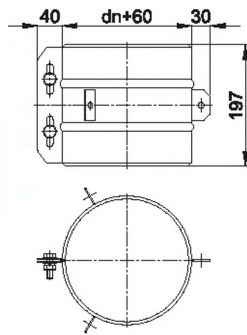


Available in diameters	80	100	113	120	130	140	150	160	180	200	225	250	300	350	400	450	500	600	700	800	900	1000
------------------------	----	-----	-----	-----	-----	-----	-----	-----	-----	-----	-----	-----	-----	-----	-----	-----	-----	-----	-----	-----	-----	------



Reinforced locking band KBS

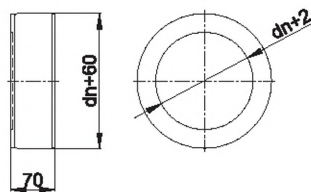
Available in diameters	80	100	113	120	130	140	150	160	180	200	225	250	300	350	400	450	500	600	700	800	900	1000
------------------------	----	-----	-----	-----	-----	-----	-----	-----	-----	-----	-----	-----	-----	-----	-----	-----	-----	-----	-----	-----	-----	------



Reinforced locking band for guy ropes KBSO

Available in diameters	80	100	113	120	130	140	150	160	180	200	225	250	300	350	400	450	500	600	700	800	900	1000
------------------------	----	-----	-----	-----	-----	-----	-----	-----	-----	-----	-----	-----	-----	-----	-----	-----	-----	-----	-----	-----	-----	------

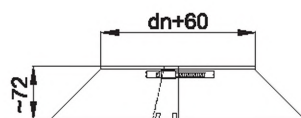
Closures



End cover END

Available in diameters	80	100	113	120	130	140	150	160	180	200	225	250	300	350	400	450	500	600	700	800	900	1000
------------------------	----	-----	-----	-----	-----	-----	-----	-----	-----	-----	-----	-----	-----	-----	-----	-----	-----	-----	-----	-----	-----	------

Flanges



Rain flange RKT

Available in diameters	80	100	113	120	130	140	150	160	180	200	225	250	300	350	400	450	500	600	700	800	900	1000
------------------------	----	-----	-----	-----	-----	-----	-----	-----	-----	-----	-----	-----	-----	-----	-----	-----	-----	-----	-----	-----	-----	------

MKS

MKKS

MKSZ

MKS Oval

MK FLEX System

Slings-wall system accessories

MKD

MKRD

Double-wall system accessories

MKRDZ

MKRDZ accessories

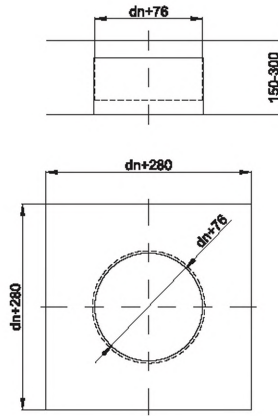
MKPS

MK Chimney sets

Other

Ceiling penetrations

Ceiling sleeve DFT

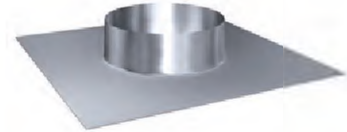
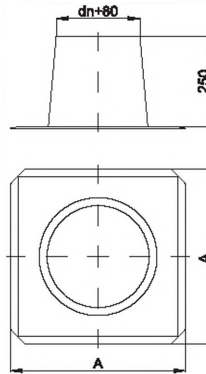


Available in diameters	80	100	113	120	130	140	150	160	180	200	225	250	300	350	400	450	500	600	700	800	900	1000
------------------------	----	-----	-----	-----	-----	-----	-----	-----	-----	-----	-----	-----	-----	-----	-----	-----	-----	-----	-----	-----	-----	------

Roof flashings

Roof flashing DDT 0°

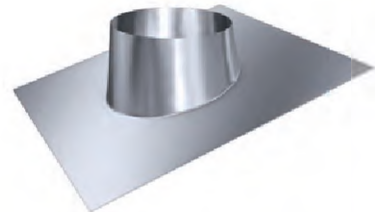
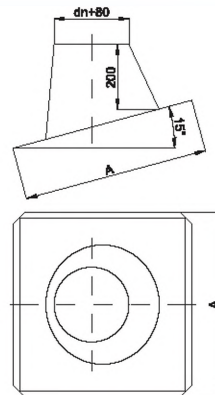
Used for roofs of 0°-5° angle



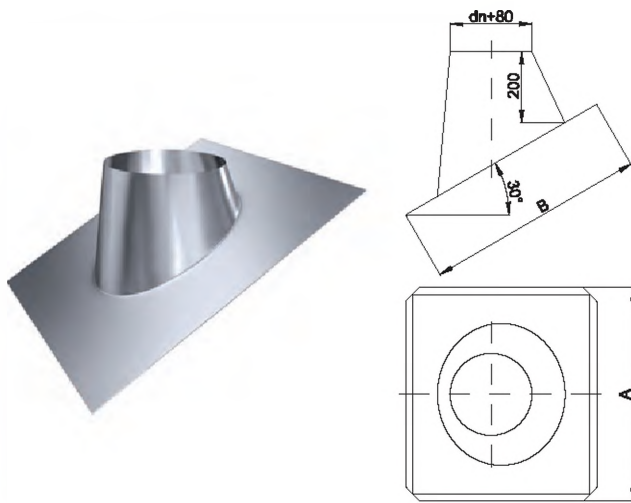
dn	80	100	113	120	130	140	150	160	180	200	225	250	300	350	400	450	500	600	700	800	900	1000
A	405	430	440	450	460	470	480	490	510	530	560	580	630	680	730	780	900	1030	1125	1250	1330	1450

Roof flashing DDT 15°

Used for roofs of 5°-20° angle



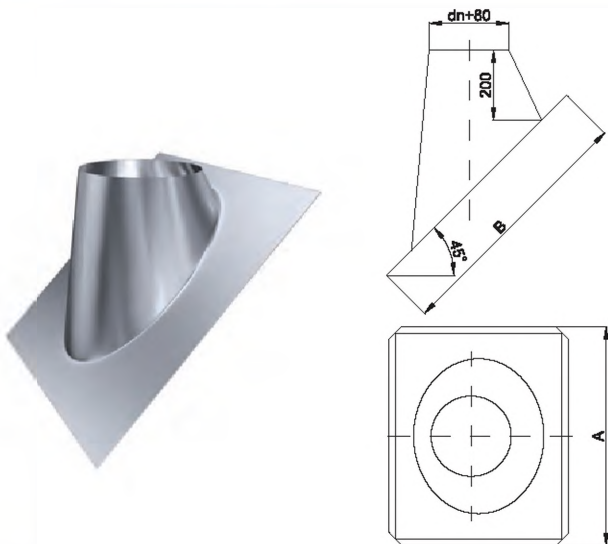
dn	80	100	113	120	130	140	150	160	180	200	225	250	300	350	400	450	500	600	700	800	900	1000
A	495	515	530	540	550	560	570	580	600	620	650	680	730	770	840	890	945	1150	1255	1365	1470	1580



Roof flashing DDT 30°

Used for roofs of 20°-35° angle

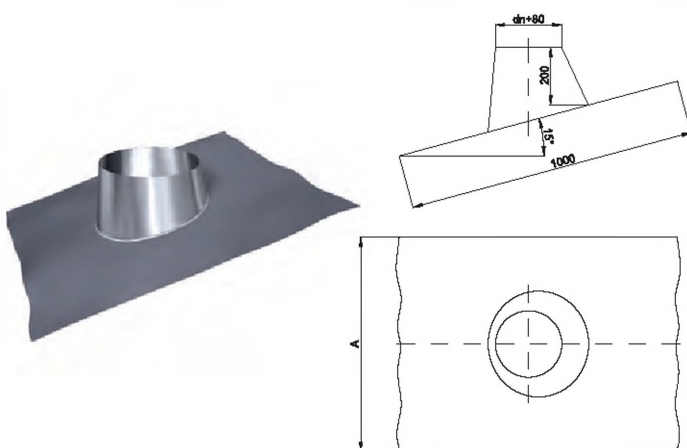
dn	80	100	113	120	130	140	150	160	180	200	225	250	300	330	400	450	500	600	700	800	900	1000
A	510	540	550	560	570	580	600	610	630	650	690	710	770	830	890	940	1000	1220	1330	1415	1560	1680
B	530	555	570	580	590	600	620	630	650	670	710	740	800	860	920	980	1040	1265	1385	1505	1630	1750



Roof flashing DDT 45°

Used for roofs of 35°-50° angle

dn	80	100	113	120	130	140	150	160	180	200	225	250	300	350	400	450	500	600	700	800	900	1000
A	545	570	590	600	610	620	630	650	680	700	730	760	830	890	950	1015	1090	1305	1430	1560	1685	1810
B	620	650	680	690	700	720	730	750	780	810	850	890	970	1040	1120	1195	1275	1530	1680	1840	1990	2150



Roof flashing with lead plate DDT 15°

Used for roofs of 0°-20° angle

dn	80	100	113	120	130	140	150	160	180	200	225	250	300	350	400	
A				690	700	720	730	740	750	770	790	820	840	900	960	1000

MKS

MKKS

MKSZ

MKS Oval

MIK FLEX System

Singe-wall system accessories

MKD

MKRD

Double-wall system accessories

MKQZ

MKQZ accessories

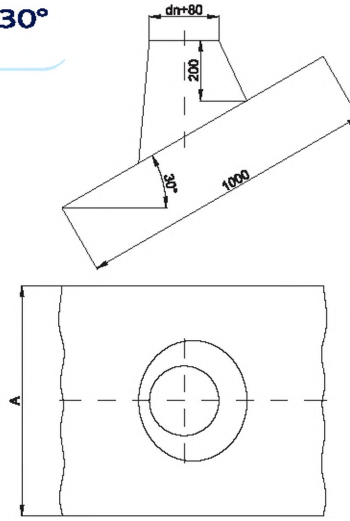
MKPS

MIK Chimney sets

Other

Roof flashing with lead plate DDTO 30°

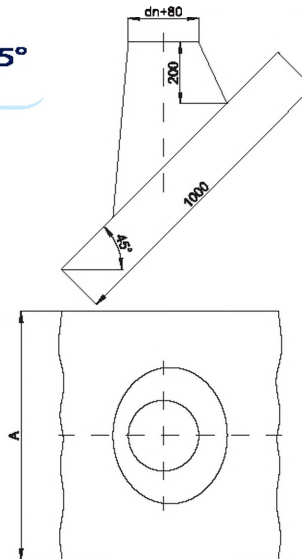
Used for roofs of 20°-35° angle



dn	80	100	113	120	130	140	150	160	180	200	225	250	300	350
A	710			720	740	750	760	770	800	820	850	880	950	1000

Roof flashing with lead plate DDTO 45°

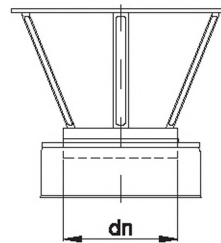
Used for roofs of 35°-50° angle



dn	80	100	113	120	130	140	150	160	180	200	225	250
A	760			770	790	800	810	820	840	870	900	950

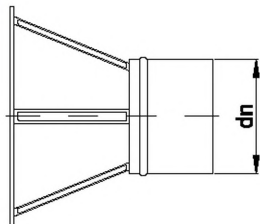
Chimney terminations

Raincap RHTS



Available in diameters	113	120	130	140	150	160	180	200	225	250	300	350	400	450	500
------------------------	-----	-----	-----	-----	-----	-----	-----	-----	-----	-----	-----	-----	-----	-----	-----

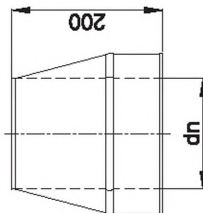
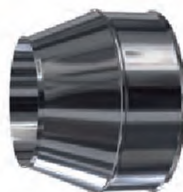
Rain cap for MAT mouth end RHT WM



Available in diameters

113 120 130 140 150 160 180 200 225 250 300 350 400 450 500

Mouth end MAT



dn

80

100

113

120

130

140

150

160

180

200

225

250

300

350

400

450

500

600

700

800

900

1000

A

200

290

Gaskets

Gasket UKK



Available in diameters

80

100

113

120

130

140

150

160

180

200

225

250

300

350

400

450

500

Other

MK
Chimney sets

MKPS

MKDZ accessories

MKDZ

Double-wall system
accessories

MKKD

MKD

Singe-wall system
accessories

MK FLEX System

MKS Oval

MKSZ

MKKS

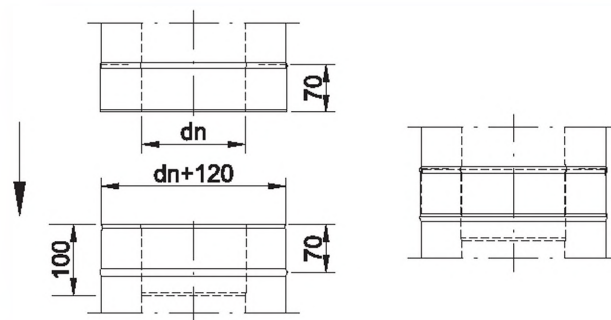
MKS

Base anchor plate KFTAZ	77
Transitional anchor plate KFTPZ	77
Continuous anchor plate KFSZ	77
End plug DSZ	78
Cleanout POTZ	78
Tee-piece AFTSZ 45°	78
Tee-piece AFTSZ 90°	79
Reduction tee-piece AFTSZR 90°	79
Length RTZ L 250	79
Length RTZ L 500	79
Length RTZ L 1000	79
Elbow BGTZ 15°	80
Elbow BGTZ 30°	80
Elbow BGTZ 45°	80
Elbow BGTZ 90°	80

MKDZ system information



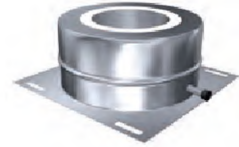
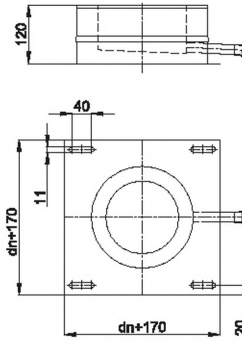
MKDZ system sockets



KEY					
Round shape	Gas, fuel oil	Core steel grade	CE Certificate	System operating in wet working conditions	
Oval shape	Wood	Thickness of insulation	Warranty	System operating in dry working conditions	
Rectangular shape	Solid fuels	Maximum operating temperature	System operating in negative pressure (without gasket)		
Used for ventilation purposes	Solid fuels, pea coal	Material thickness	System operating in positive pressure (with gasket)		

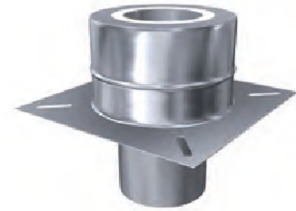
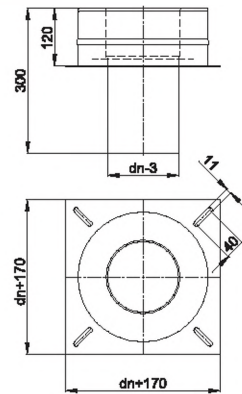
Anchor plates

Base anchor plate KFTAZ



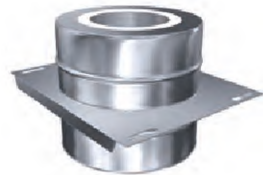
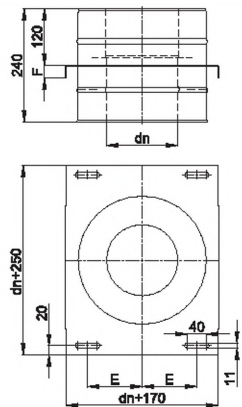
Available in diameters	120	130	140	150	160	180	200	225	250	300	350	400	450	500
------------------------	-----	-----	-----	-----	-----	-----	-----	-----	-----	-----	-----	-----	-----	-----

Transitional anchor plate KFTPZ



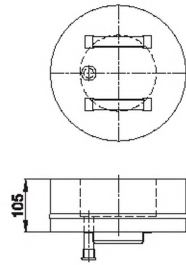
Available in diameters	120	130	140	150	160	180	200	225	250	300	350	400	450	500
------------------------	-----	-----	-----	-----	-----	-----	-----	-----	-----	-----	-----	-----	-----	-----

Continuous anchor plate KFSZ



dn	120	130	140	150	160	180	200	225	250	300	350	400	450	500
E	75	76	80	85	90	100	110	122	135	160	185	210	235	260
F	25		30					35						

Closures

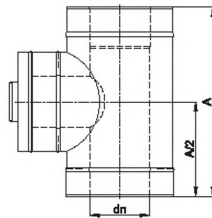


End plug DSZ

Available in diameters

120	130	140	150	160	180	200	225	250	300	350	400	450	500
-----	-----	-----	-----	-----	-----	-----	-----	-----	-----	-----	-----	-----	-----

Cleanouts

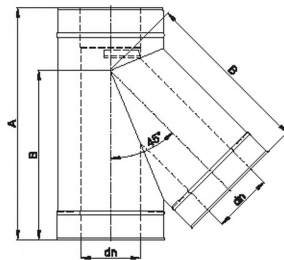


Cleantout POTZ

dn	120	130	140	150	160	180	200	225	250	300	350	400	450	500
A	450	480		500		530	555	570						

Diameter	120	130	140	150	160	180	200	225	250	300	350	400	450	500
Number of pieces per pallet	20	20	20	20	16	10	10	6	48	32	16	16	16	16

Tee-pieces

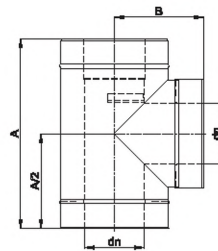


Tee-piece AFTSZ 45°

dn	120	130	140	150	160	180	200	225	250	300	350	400	450	500
A	550	590		610	640	670	705	740	810	890	970	1050	1120	
B	395	420	425	430	445	470	495	525	555	615	680	745	810	870

Diameter	120	130	140	150	160	180	200	225	250	300	350	400	450	500
Number of pieces per pallet	20	20	20	20	16	10	10	6	96	64	32	32	32	32

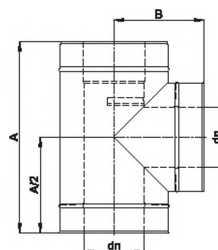
Tee-piece AFTSZ 90°



dn	120	130	140	150	160	180	200	225	250	300	350	400	450	500
A	450	480			500		530	555	580	630	680	730	780	830
B	210	215	220	225	230	240	250	263	275	300	325	350	375	415

Diameter	120	130	140	150	160	180	200	225	250	300	350	400	450	500
Number of pieces per pallet	20	20	20	20	16	10	10	6	96	64	32	32	32	32

Reduction tee-piece AFTSZR 90°



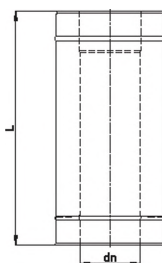
Dimensions after agreement with the customer

Lengths

Length RTZ L 250

Length RTZ L 500

Length RTZ L 1000

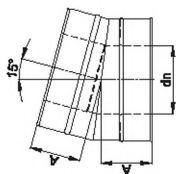


dn	120	130	140	150	160	180	200	225	250	300	350	400	450	500
L	1000													
	500													
	250													

Diameter	120	130	140	150	160	180	200	225	250	300	350	400	450	500
Number of pieces per pallet L-1000	13	12	12	11	11	8	8	6	6	4	2	2	2	2
Number of pieces per pallet L-500	26	24	24	22	22	16	16	12	12	8	4	4	4	4
Number of pieces per pallet L-250	52	48	48	44	44	32	32	24	24	16	8	8	8	8

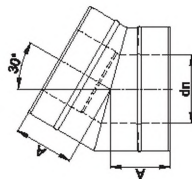
Elbows

Elbow BGTZ 15°



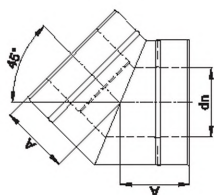
dn	120	130	140	150	160	180	200	225	250	300	350	400	450	500
A	111	111	112	113	115	116	118	119	123	126	129	133	136	136

Elbow BGTZ 30°



dn	120	130	140	150	160	180	200	225	250	300	350	400	450	500
A	127	128	130	131	133	135	138	141	145	151	158	165	171	178

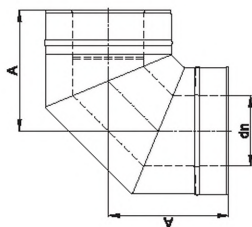
Elbow BGTZ 45°



dn	120	130	140	150	160	180	200	225	250	300	350	400	450	500
A	144	147	149	151	153	157	161	166	172	182	192	203	213	228



Elbow BGTZ 90°



dn	120	130	140	150	160	180	200	225	250	300	350	400	450	500
A	243	248	253	258	263	273	283	296	308	333	358	383	408	433



Other

MK
Chimney sets

MKPS

MKDZ accessories

MKDZ

Double-wall system
accessories

MKKD

MKD

Singe-wall system
accessories

MK FLEX System

MKS Oval

MKSZ

MKKS

MKS

Masking flange 60WBT	83
Construction clamp 60WHT 1	83
Construction clamp 60WHT 2	83
Construction clamp 60WHT 3	83
Narrow locking band 60KBT	83
Wide locking band 60KBTS	84
Rain flange 60RKT	84
Ceiling sleeve DFTZ	84
Roof flashing 60DDT 0°	85
Roof flashing 60DDT 15°	85
Roof flashing 60DDT 30°	85
Roof flashing 60DDT 45°	86
Mouth end MATZ	86

MKS

MKKS

MKKSZ

MKS Oval

MIK FLEX System

Single-wall system
accessories

MKD

MKKD

Double-wall system
accessories

MKDZ

MKDZ accessories

MKPS

MIK
Chimney sets

Other

Masking flanges

Masking flange 60WBT



Available in diameters

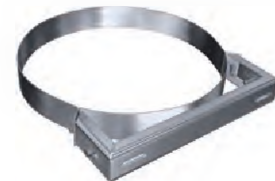
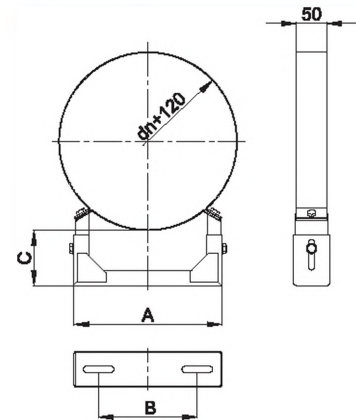
120	130	140	150	160	180	200	225	250	300
-----	-----	-----	-----	-----	-----	-----	-----	-----	-----

Construction clamps

Construction clamp 60WHT 1

Construction clamp 60WHT 2

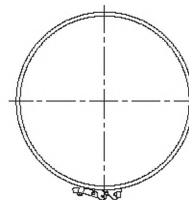
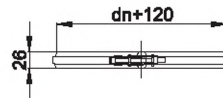
Construction clamp 60WHT 3



dn	120	130	140	150	160	180	200	225	250	300	350	400	450	500
A	214	222	231	240	248	266	283	305	326	370	413	456	500	540
B	134	142	151	160	168	186	203	225	246	290	322	376	420	463
C (wyk.1)	111-144	111-144	108-141	105-139	104-138	99-132	94-127	89-122	83-117	71-104	87-134	108-181	95-169	86-159
C (wyk.2)	137-184	136-183	134-181	132-179	131-178	125-172	120-167	149-220	143-217	131-204	120-194	178-251	165-239	156-229
C (wyk.3)	241-354	240-353	238-351	235-349	234-348	229-342	224-337	219-332	213-327	301-414	290-404	278-391	265-379	256-369

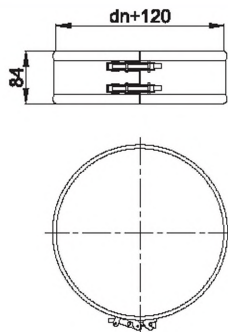
Locking bands

Narrow locking band 60KBT



Available in diameters

120	130	140	150	160	180	200	225	250	300	350	400	450	500
-----	-----	-----	-----	-----	-----	-----	-----	-----	-----	-----	-----	-----	-----

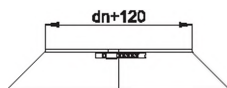


Wide locking band 60KBTS

Available in diameters

120	130	140	150	160	180	200	225	250	300	350	400	450	500
-----	-----	-----	-----	-----	-----	-----	-----	-----	-----	-----	-----	-----	-----

Flanges

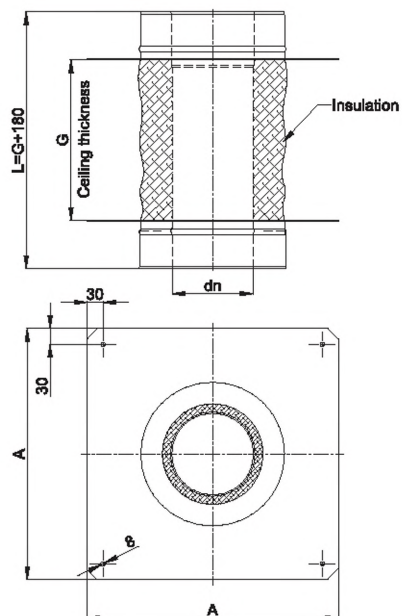
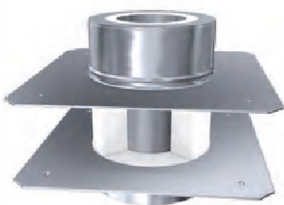


Rain flange 60RKT

Available in diameters

120	130	140	150	160	180	200	225	250	300
-----	-----	-----	-----	-----	-----	-----	-----	-----	-----

Ceiling penetrations



Ceiling sleeve DFTZ

dn	120	130	140	150	160	180	200	225	250	300	350	400	450	500
A	440	450	460	470	480	500	520	545	570	620	670	720	770	820

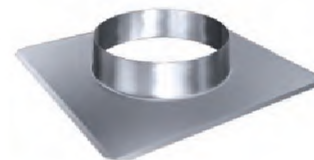
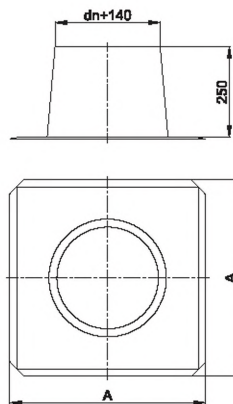
G

according to order

Roof flashings

Roof flashing 60DDT 0°

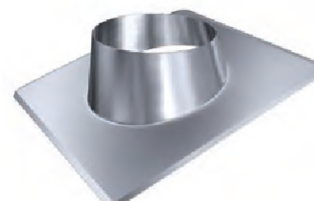
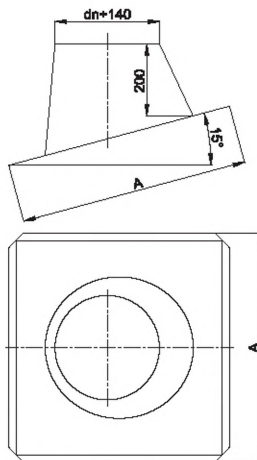
Used for roofs of 0°-5° angle



dn	120	130	140	150	160	180	200	225	250	300	350	400	450	500
A	510	520	530	540	550	570	590	620	640	690	740	790	840	890

Roof flashing 60DDT 15°

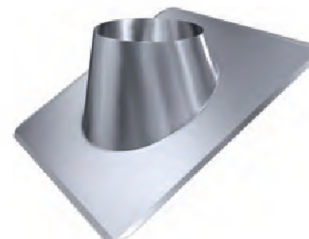
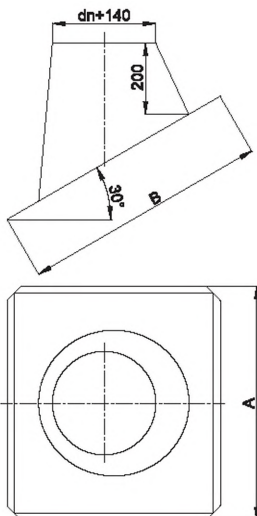
Used for roofs of 5°-20° angle



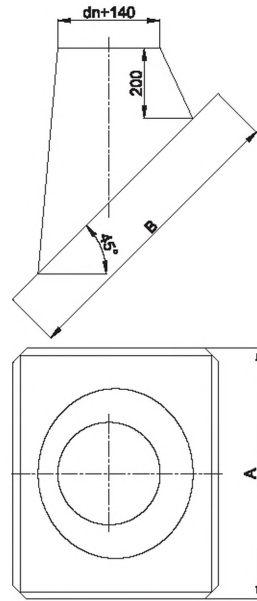
dn	120	130	140	150	160	180	200	225	250	300	350	400	450	500
A	600	605	615	625	640	660	680	705	730	785	840	890	945	1000

Roof flashing 60DDT 30°

Used for roofs of 20°-35° angle



dn	120	130	140	150	160	180	200	225	250	300	350	400	450	500
A	630	640	655	665	675	700	720	750	780	840	900	960	1010	1070
B	650	665	675	690	700	725	750	780	810	870	930	1000	1055	1115

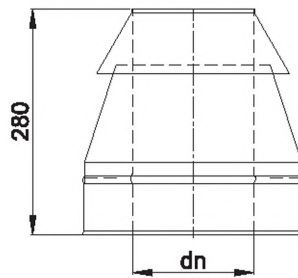


Roof flashing 60DDT 45°

Used for roofs of 35°-50° angle

dn	120	130	140	150	160	180	200	225	250	300	350	400	450	500
A	675	685	695	710	725	750	775	810	835	900	965	1025	1090	1155
B	780	800	810	825	840	870	900	940	980	1055	1135	1210	1290	1370

Chimney terminations



Mouth end MATZ

Available in diameters

120	130	140	150	160	180	200	225	250	300	350	400	450	500
-----	-----	-----	-----	-----	-----	-----	-----	-----	-----	-----	-----	-----	-----

MKS

MKKS

MKKSZ

MKS Oval

MK FLEX System

Single-wall system
accessories

MKD

MKRD

Double-wall system
accessories

MKQZ

MKQZ accessories

MKPS

MK
Chimney sets

Other

Other

MK
Chimney sets

MKPS

MKDZ accessories

MKDZ

Double-wall system
accessories

MKKD

MKD

Singe-wall system
accessories

MK FLEX System

MKS Oval

MKSZ

MKKS

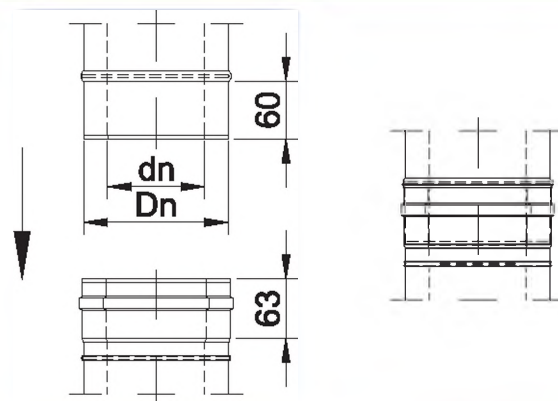
MKS

Vertical adapter AD PS	89
Divider ROZ PS 2x80 W	89
Reduction RD PS	89
Reduction with condensate collector RD OD PS	89
Reduction with measurement spouts RDM PS	90
Elbow BGT PS 15°	90
Elbow BGT PS 30°	90
Elbow BGT PS 45°	90
Elbow BGT PS 90°	90
Elbow BGT PS 93°	91
Elbow with support BGTP PS 93°	91
Elbow with measurement spouts BGTM PS 90°	91
Transition elbow from MKPS to MKKD BGT PS/KD	91
Tee-piece AFK 87°	92
Revision tee-piece AFKR PS 87°	92
Revision tee-piece AFKR PS 90°	92
Revision tee-piece with condensate collector AFKR OD PS 90°	92
Revision tee-piece with condensate collector and measurement spouts AFKRM OD PS 90°	93
Reduction tee-piece with revision AFKR-R PS 90°	93
Reduction tee-piece with revision AFKR-R PS 87°	93
Reduction tee-piece with revision and condensate collector AFKR-R OD PS 90°	94
Reduction tee-piece with revision, condensate collector and measurement spouts AFKRM-R OD PS 90°	94
Cleanout PAT PS	94
Length RT PS L250	95
Length RT PS L500	95
Length RT PS L1000	95
Length with condensate collector RT OD PS	95
Length with measurement spout 1/2" RTM PS L250	95
Telescopic length RPJ PS	96
Vertical air draw CV PS	96
Horizontal air draw CH PS	96
Long horizontal air draw CHD PS	96
Condensate collector ODK PS	97
Painted masking flange RS	97

MKPS system information



MKPS system sockets



KEY					
Round shape	Gas, fuel oil	Core steel grade	CE Certificate	System operating in wet working conditions	
Oval shape	Wood	Thickness of insulation	1 YEAR Warranty	System operating in dry working conditions	
Rectangular shape	Solid fuels	Maximum operating temperature	System operating in negative pressure (without gasket)		
Used for ventilation purposes	Solid fuels, pea coal	Material thickness	System operating in positive pressure (with gasket)		

Vertical adapters

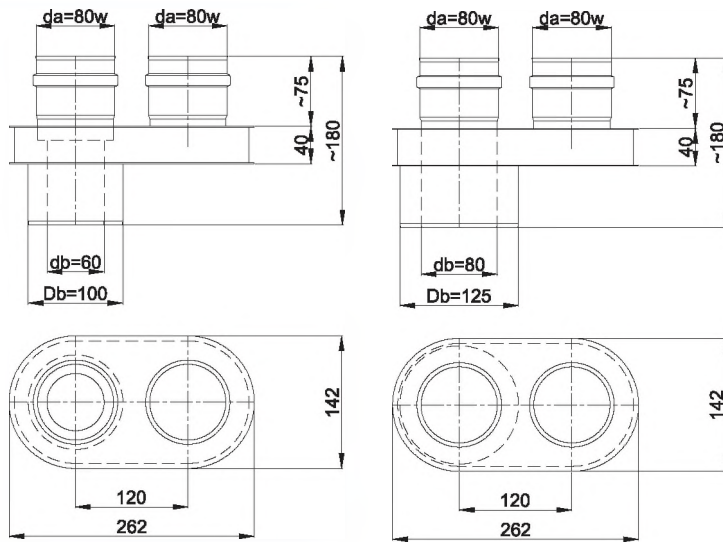
Vertical adapter AD PS



An up-to-date adapter chart can be found in the Pricelist for condensation and turbo boilers.

Dividers

Divider ROZ PS 2x80 W

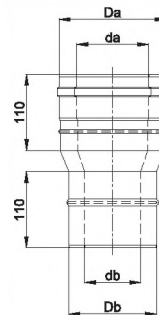


Dimensions and available diameters - according to the drawings.

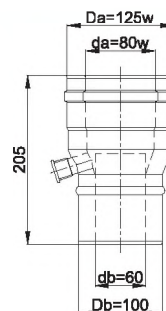
Reductions

Reduction RD PS

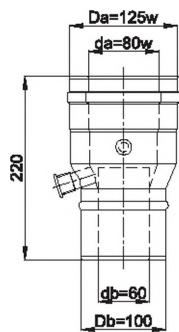
Db	reduced diameter	60 - 100	80 - 125
Da	Outlet diameter	80 - 125	100 - 150



Reduction with condensate collector RD OD PS



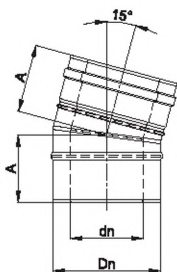
Dimensions and available diameters - according to the drawings.



Reduction with measurement spouts RDM PS

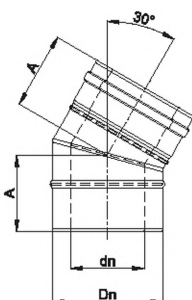
Dimensions and available diameters - according to the drawings.

Elbows



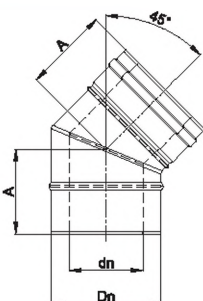
Elbow BGT PS 15°

dn	60	80	100
Dn	100	125	150
A	85		



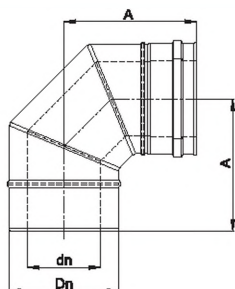
Elbow BGT PS 30°

dn	60	80	100
Dn	100	125	150
A	85		



Elbow BGT PS 45°

dn	60	80	100
Dn	100	125	150
A	85		



Elbow BGT PS 90°

dn	60	80	100
Dn	100	125	150
A	155	170	180

MKS

MKKS

MKSZ

MKS Oval

MK FLEX System

Single-wall system accessories

MKD

MKRD

Double-wall system accessories

MKRDZ

MKRDZ accessories

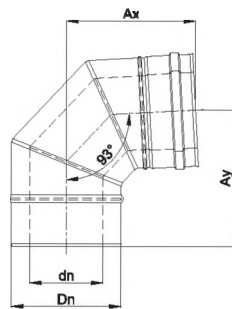
MKPS

MK Chimney sets

Other

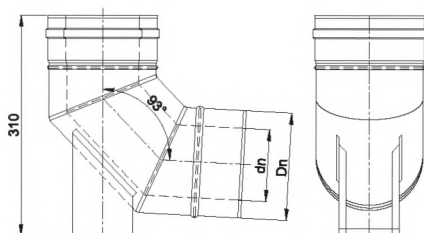
Elbow BGT PS 93°

dn	60	80	100
Dn	100	125	150
Ax	155	165	175
Ay	160	175	185



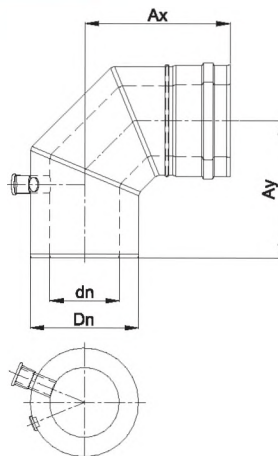
Elbow with support BGTP PS 93°

Available in diameters			
dn	60	80	100
Dn	100	125	150



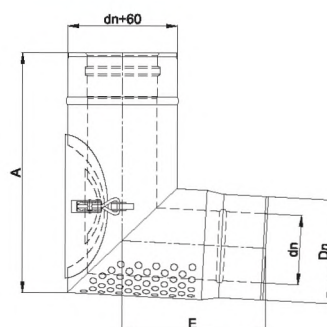
Elbow with measurement spouts BGTM PS 90°

dn	60	80
Dn	100	125
Ax	157	169
Ay	147	159

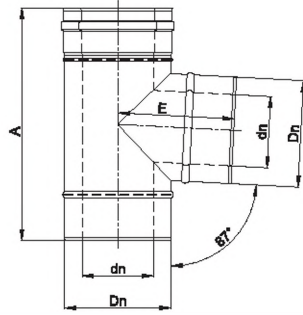


Transition elbow from MKPS to MKKD BGT PS/KD

dn	60	80	100
Dn	100	125	150
A	310	330	350
E	190	195	205

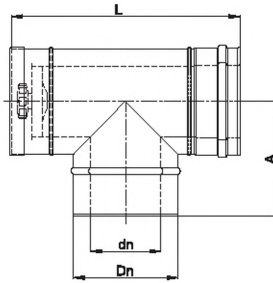


Tee-pieces, reduction tee-pieces



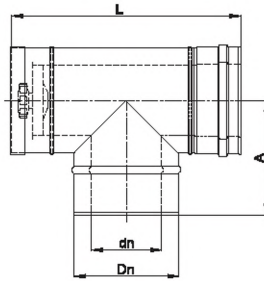
Tee-piece AFKR 87°

dn	60	80	100
Dn	100	125	150
A	275	300	330
E	140	155	165



Revision tee-piece AFKR PS 87°

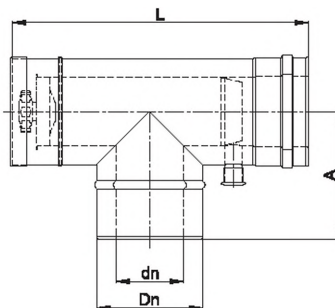
dn	60	80	100
Dn	100	125	150
L	260	285	330
A	140	155	165



Revision tee-piece AFKR PS 90°

dn	60	80	100
Dn	100	125	150
L	260	285	330
A	140	155	165

Revision tee-piece with condensate collector AFKR OD PS 90°



dn	60	80
Dn	100	125
L	300	330
A	115	130

MKS

MKKS

MKKSZ

MKS Oval

MIK FLEX System

Single-wall system accessories

MKD

MKRD

Double-wall system accessories

MKQZ

MKQZ accessories

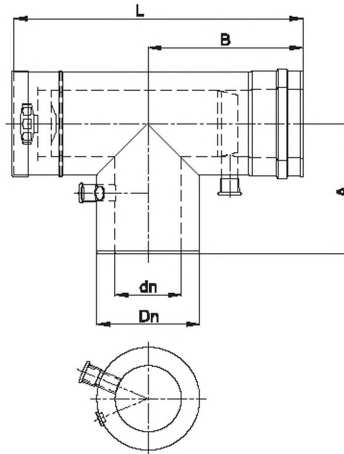
MKPS

MIK Chimney sets

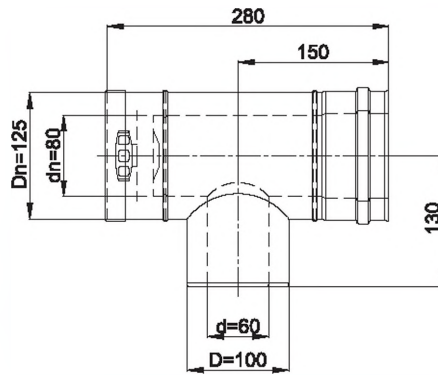
Other

Revision tee-piece with condensate collector and measurement spouts AFKRM OD PS 90°

dn	60	80
Dn	100	125
L	300	330
A	145	160

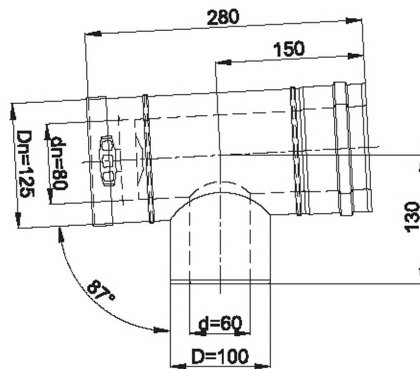


Reduction tee-piece with revision AFKR-R PS 90°



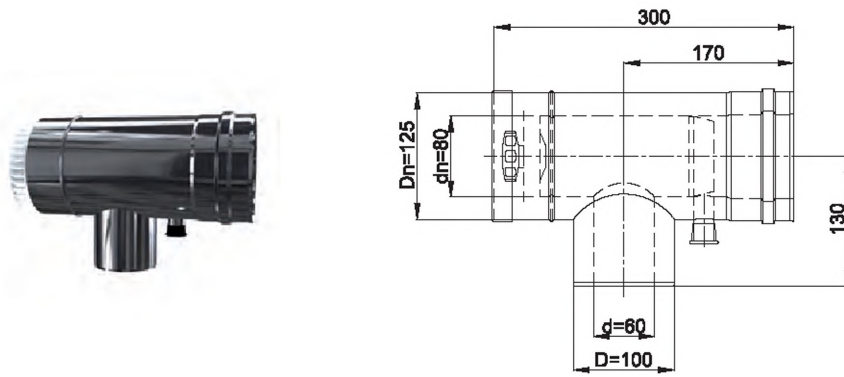
Dimensions and available diameters - according to the drawing

Reduction tee-piece with revision AFKR-R PS 87°



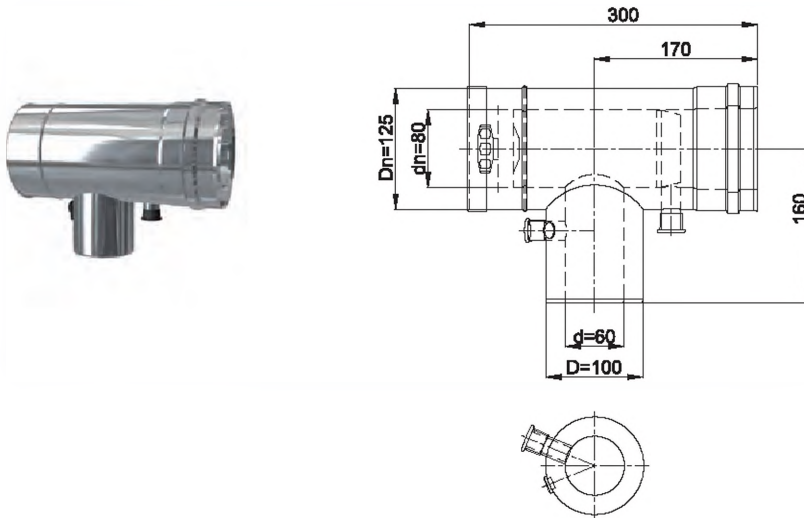
Dimensions and available diameters - according to the drawing

Reduction tee-piece with revision and condensate collector AFKR-R OD PS 90°



Dimensions and available diameters - according to the drawing

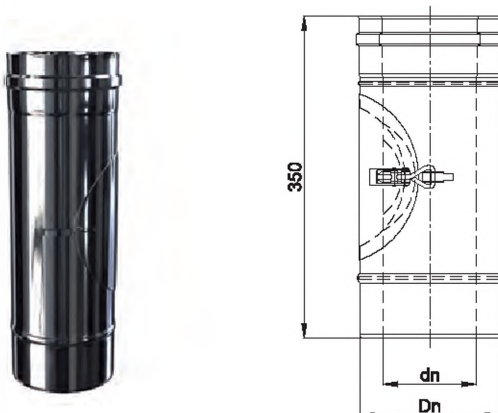
Reduction tee-piece with revision, condensate collector and measurement spouts AFKRM-R OD PS



Dimensions and available diameters - according to the drawing

Cleanouts

Cleanout PAT PS



Available in diameters			
dn	60	80	100
Dn	100	125	150

Lengths

Length RT PS L 250

Length RT PS L 500

Length RT PS L 1000

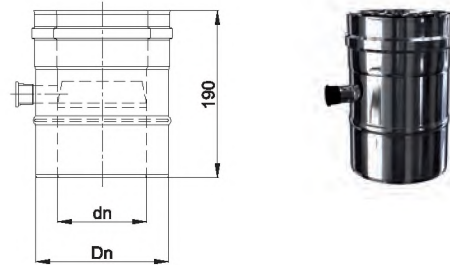
dn	60	80	100
Dn	100	125	150
L	250, 500, 1000		



Other lengths

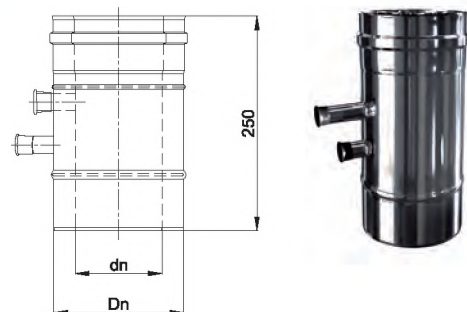
Length with condensate collector RT OD PS

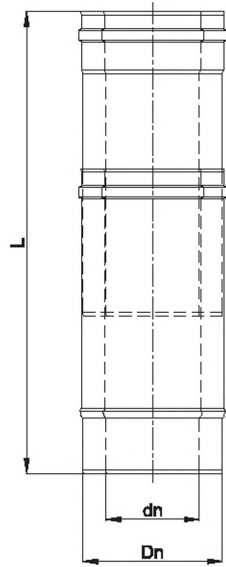
Available in diameters			
dn	60	80	100
Dn	100	125	150



Length with measurement spout 1/2" RTM PS L250

Available in diameters			
dn	60	80	100
Dn	100	125	150

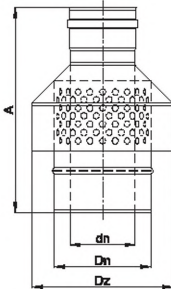




Telescopic length RPJ PS

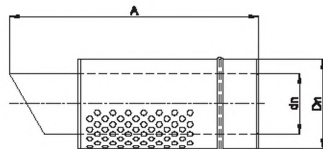
dn	60	80	100
Dn	100	125	150
L	470-650		

Air draws



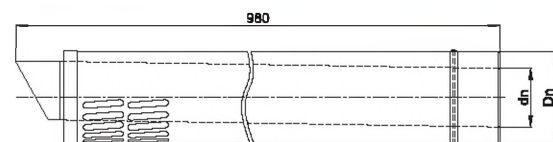
Vertical air draw CV PS

dn	60	80	100
Dn	100	125	150
Dz	170	200	220
A	270	310	320



Horizontal air draw CH PS

dn	60	80	100
Dn	100	125	150
A	300	340	380



Long horizontal air draw CHD PS

Available in diameters			
dn	60	80	100
Dn	100	125	150

MKS

MIKS

MIKSZ

MKS Oval

MIK FLEX System

Single-wall system accessories

MKD

MIKMD

Double-wall system accessories

MKDDZ

MIKDDZ accessories

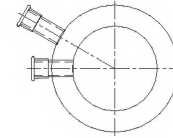
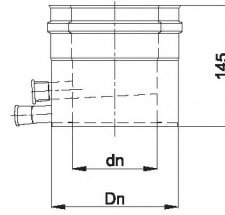
MIKPS

MIK Chimney sets

Other

Condensate collectors

Condensate collector ODK PS



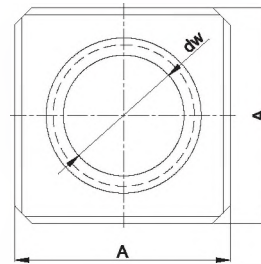
Available in diameters

dn	60	80	100
Dn	100	125	150

Masking flanges

Painted masking flange RS

dn	100	125	150	160
∅dw	90	115	140	150
A	200	220	250	250



Universal horizontal TURBO chimney set PAK 01	99
Universal vertical TURBO chimney set PAK 02	99
Universal TURBO chimney lining set PAK 03	99
Single-wall chimney set PDBU with TR 90°	100
Single-wall chimney set PDU with TR 90°	100

MKS

MKKS

MKKSZ

MKS Oval

MIK FLEX System

Single-wall system
accessories

MKD

MKGD

Double-wall system
accessories

MKDZ

MKDZ accessories

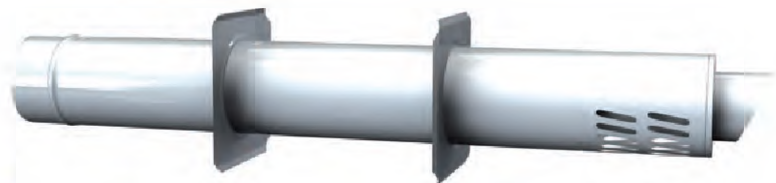
MKPS

MIK
Chimney sets

Other

MK chimney sets

Universal horizontal TURBO chimney set PAK 01



Items included in the set

Item name	symbol	system	number of pieces
Long painted air draw	CHD PS	MKPS	1
Painted masking flange	RS	Accessories	2

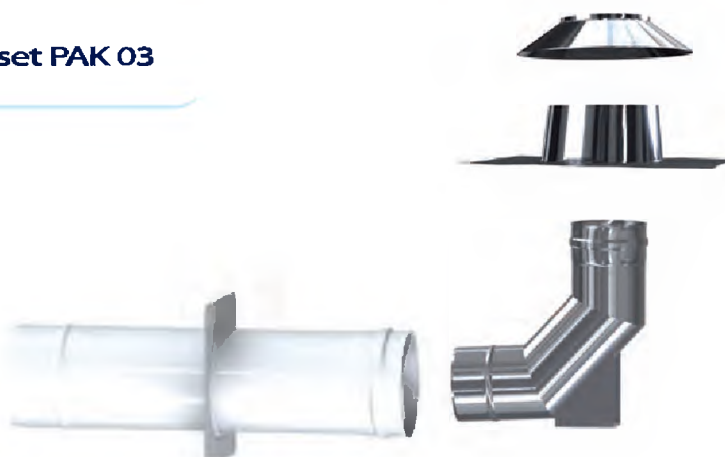
Universal vertical TURBO chimney set PAK 02



Items included in the set

Item name	symbol	system	number of pieces
Painted length	RT PS L1000	MKPS	1
Vertical air draw	CV PS	MKPS	1

Universal TURBO chimney lining set PAK 03



Items included in the set

Item name	symbol	system	number of pieces
Painted length	RT PS L500	MKPS	1
Painted masking flange	RS	Accessories	1
Elbow with support	EPKX 93	MKKS	1
Roof plate	DHS	Accessories	1
Rain flange	RKP	Accessories	1

Single-wall chimney set PDBU with TR 90°



Items Included In the set

Item name	symbol	system	number of pieces
Length	RP L1000	MKS	7
Raincap	A	Accessories	1
Roofplate	DH	Accessories	1
Tee-piece 90	TR 90	MKS	1
Round cleanout with condensate collector.	KPR+OK	MKS	1

Single-wall chimney set PDU with TR 90°



Items Included In the set

Item name	symbol	system	number of pieces
Length	RP L1000	MKS	7
Raincap	A	Accessories	1
Roofplate	DH	Accessories	1
Tee-piece 90	TR 90	MKS	1
Cleanout with condensate collector.	KPR+OD	MKS	1
Door	DR	MKS	1

Remark: the sizes of particular chimney set elements are the same as the dimensions of these elements in the systems they derive from.

MKS

MKKS

MKSZ

MKS Oval

MK FLEX System

Single-wall system accessories

MKD

MKKD

Double-wall system accessories

MKQZ

MKQZ accessories

MKRS

MK Chimney sets

Other

Other

**MK
Chimney sets**

MKPS

MKDZ accessories

MKDZ

Double-wall system
accessories

MKKD

MKD

Singe-wall system
accessories

MK FLEX System

MKS Oval

MKSZ

MKKS

MKS

Acoustic silnecer ASD E15	103
Acoustic silnecer ASD E25	103
Acoustic silnecer ASD M15	103
Acoustic silnecer ASD M25	103
Condensate neutralizer NSK 5	104
Condensate neutralizer NSK 10	104
Condensate neutralizer NSK 15	104
Chimney cowl Dragon DR-R	104
Chimney cowl Turbo TU-R	104

MKS

MKKS

MKKSZ

MKS Oval

MIK FLEX System

Single-wall system
accessories

MKID

MKID

Double-wall system
accessories

MKIDZ

MKIDZ accessories

MKPS

MIK
Chimney sets

Other

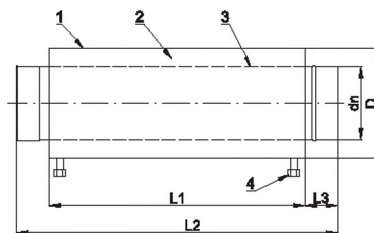
Silencers

Acoustic silencer ASD E15

Lp.	dn	D	mm		
			L1	L2	L3
1	130	350	500	680	90
2	150	350	550	730	90
3	180	400	600	780	90
4	200	400	700	880	90
5	225	450	750	930	90
6	250	450	800	980	90
7	300	500	1000	1180	90
8	350	550	1150	1410	130

Acoustic silencer ASD E25

Lp.	dn	D	mm		
			L1	L2	L3
1	130	350	800	980	90
2	150	350	900	1180	90
3	180	400	950	1130	90
4	200	400	1050	1230	90
5	225	450	1200	1380	90
6	250	450	1200		90
7	300	500	1550	1730	90
8	350	550	1750	2010	130



Acoustic silencer ASD M15

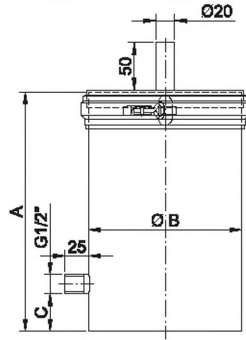
Lp.	dn	D	mm		
			L1	L2	L3
1	130	250	400	580	90
2	150	250	400	580	90
3	180	300	450	630	90
4	200	300	450	630	90
5	225	400	550	730	90
6	250	500	600	780	90
7	300	500	700	880	90
8	350	600	1100	1360	130
9	400	800	1100	1360	130
10	450	800	1200	1460	130
11	500	800	1300	1560	130
12	600	1000	1400	1660	130

pos.	Item name	Material
1	Jacket pipe made of 1,0mm or 1,5mm thick steel	steel grade 1.4404
2	Silencing material	Mineral or steel wool
3	Core pipe made of 1,0mm thick perforated steel	steel grade 1.4404
4	Spout 1/2"	steel grade 1.4404

Acoustic silencer ASD M25

Lp.	dn	D	mm		
			L1	L2	L3
1	130	250	700	880	90
2	150	250	700	880	90
3	180	300	750	930	90
4	200	300	750	930	90
5	225	400	850	1030	90
6	250	500	900	1080	90
7	300	500	1000	1180	90
8	350	600	1400	1620	130
9	400	800	1800	2060	130
10	450	800	2000	2260	130
11	500	800	2200	2460	130
12	600	1000	2400	2660	130

Neutralizers



Condensate neutralizer NSK 5

Condensate neutralizer NSK 10

Condensate neutralizer NSK 15

No.	Capacity	Boiler power range	A	B	C
			mm		
1	5 dm ³	0-50	250	160	40
2	10 dm ³	50-300	350	180	60
3	15 dm ³	300-1000	450	200	80

Remark: neutralizers are suitable only for open combustion chamber and turbo boilers

Maximum flow speed 0,13 dm³/h

Chimney cowls



Chimney cowl Dragon DR-R

Available in diameters 150 200 250 300

Remaining diameter options are provided by means of appropriate reductions and standard size chimney cowl
Chimney cowls are available with and without roof plate DH



Chimney cowl Turbo TU-R

Available in diameters 150 200 250 300

Remaining diameter options are provided by means of appropriate reductions and standard size chimney cowl
Chimney cowls are available with and without roof plate DH

MKS

MKRS

MKSZ

MKS Oval

MIK FLEX System

Singe-wall system accessories

MKD

MKRD

Double-wall system accessories

MKQZ

MKQZ accessories

MKRS

MIK Chimney sets

Other

Alphabetical index

MKS

Adjustable elbow ŁK 0-90°	15
Adjustable elbow SK 0-45°	16
Adjustable elbow with revision ŁKR 90°	15
Cleanout KPR	11
Cleanout with condensate collector KPR+OK	11
Cleanout with closing plate KPR FU	11
Condensate collector OD	11
Elbow ŁKS 90°	16
Elbow SKS 15°	16
Elbow SKS 30°	16
Elbow SKS 45°	17
Elbow with revision ŁKRS 90°	16
Length RP L250	14
Length RP L 330	14
Length RP L 500	14
Length RP L 1000	14
Length with mounting ears RPU L1000	14
Manchette OS2	18
Prolonged roof plate DH FU	18
Reduction RD MKS	15
Roof plate DH	17
Tee-piece for draught adjuster TR REG	12
Tee-piece TR 45°	12
Tee-piece TR 90°	12
Tee-piece with detachable outlet TRPF 90°	13
Telescopic length RPJ	14
Transitional support PP	10
V-piece PORTKI	18
WPF outlet for TRPF tee-piece	13

MKKS

Cleanout KPKK	21
Cleanout with condensate collector KPKK+OD ..	21
Condensate collector ODKK	21
Elbow ŁKK 90°	24
Elbow ŁKK 93°	24
Elbow SKK 15°	24
Elbow SKK 30°	25
Elbow SKK 45°	25
Elbow with revision ŁRKK 93°	24
Elbow with support ŁPKK 93°	25
Length RPK L250	22
Length RPK L 330	22
Length RPK L 500	22
Length RPK L 1000	22
Length with condensate collector RPK+OD	23
Length with measurement spout 1/2" RPKM L250 ..	23
Length with measurement spout 1/2" RPKM L330 ..	23
Length with mounting ears RPU L1000	22
Reduction RDK MKKS	23
Tee-piece for draught regulation TRKR	22
Tee-piece TRK 87°	21
Telescopic length RPKJ	23

MKSZ

Adjustable elbow ŁKZ 0-90°	30
Adjustable elbow SKZ 0-45°	31
Cleanout KPRZ	27
Condensate collector ODSZ	27
Elbow ŁKSZ 90°	30
Elbow SKSZ 30°	31
Elbow SKSZ 45°	31
Elbow with revision ŁKRSZ 90°	30
Length RPZ L250	28
Length RPZ L 330	28
Length RPZ L 500	28
Length RPZ L 1000	28
Length with mounting ears RPZU L1000	29
Roof plate DHZ	31
Reduction rectangular to round RDZ O-P	30
Reduction RDZ MKSZ	29
Reduction tee-piece TRRSZ 45°	28
Reduction tee-piece TRRSZ 90°	28
Tee-piece TRSZ 45°	27
Tee-piece TRSZ 90°	28

MKS Oval

Oval condensate collector with pipe on the shorter side ODOA	33
Oval condensate collector with pipe on the longer side ODOB	33
Oval cleanout with outlet on the shorter side KPROA ...	33
Oval cleanout with outlet on the longer side KPROB ...	34
Oval tee-piece with outlet on the shorter side TROA 90° ..	34
Oval tee-piece with outlet on the longer side TROB 90° ..	34
Oval length RPO L250	35
Oval length RPO L 500	35
Oval length RPO L 1000	35
Oval raincap AO	35
Roof plate DHO	35

MK FLEX System

Connections use	38
Connection ZFFZS flex - flex	38
Connection ZFFS flex - flex	38
Connection ZFFKS flex - length	38
Connection ZFRS flex - length	39
Double-skin flex liner MK FLEX x2	37
Flexible aluminum liner MK FLEX ALU	37
Flexible liner MK FLEX	37

Singe-wall system accessories

Cleanout prolongation Z+DR 120x180	41
Closure K	41
Construction clamp OBM	42

Deflector ADW	46
Door DR	41
Gasket UKK	47
Inserted cover OW	43
Locking band OB	41
Masking flange IP	43
Rain cap A	46
Rain cap AS	46
Rain cap NAPOLEON	46
Rain flange RKP	44
Roof flashing PDI 0°	44
Roof flashing PDI 15°	45
Roof flashing PDI 30°	45
Roof flashing PDI 45°	45
Roof plate with ventilation and bolts DHS	44
Roof plate with ventilation and flange DHKK	43
Round draught regulator RCO	42
Stabilizer AH	42

Elbow BGK 30°	61
Elbow BGK 45°	62
Elbow BGK 93°	62
Elbow with revision BGRK 93°	62
Elbow with support and revision GBSK 93°	63
Length RTK L 250	59
Length RTK L 500	59
Length RTK L 1000	59
Length with measurement spout 1/2" RTKM L250	59
Length with measurement spout 64x4 RTKM L250	60
Reduction tee-piece AFKSR 87°	58
Reduction twin-wall to twin-wall RD MKKD - MKKD	60
Reduction twin-wall to single-wall RD MKKD - MKKS	61
Tee-piece AFKS 45°	58
Tee piece AFKS 87°	58
Telescopic length RKJ	59
Transitional anchor plate KFKP	57

Double-wall system accessories

MKD

Anchor length KFTS	49
Base anchor plate KFT	49
Cleanout POT	50
Continuous anchor plate KFS	49
Elbow BGT 15°	54
Elbow BGT 30°	54
Elbow BGT 45°	54
Elbow BGT 90°	54
Elbow with revision BGT 90°	55
End plug DS	50
Length RT L 250	51
Length RT L 330	51
Length RT L 500	51
Length RT L 1000	51
Length with draught regulator PZO	52
Length with measurement spout 1/2" RTM L250	52
Length with measurement spout 64x4 RTM L250	52
Reduction tee-piece AFTSR 90°	51
Reduction twin-wall to twin-wall RD MKD - MKD	53
Reduction twin-wall to single-wall RD MKD - MKS	53
Tee-piece AFTS 45°	50
Tee-piece AFTS 90°	51
Telescopic length RTJ	52
Transitional anchor plate KFTP	49

Base length SFT	67
Ceiling sleeve DFT	71
Console WKT 1	65
Console WKT 2	65
Console WKT 3	65
Console WKK	66
Console WS	66
Console WSP	66
Construction clamp SBK	69
Construction clamp SBT	69
Construction clamp WHT 1	68
Construction clamp WHT 2	68
Construction clamp WHT 3	68
End cover END	70
Flue support SRT	67
Gasket UKK	74
Masking flange WBT	66
Mouth end MAT	74
Narrow locking band KBT	69
Rain cap for MAT mouth end RHT WM	74
Rain cap RHTS	73
Rain flange RKT	70
Reinforced locking band for guy ropes KBSO	70
Reinforced locking band KBS	70
Roof flashing DDT 0°	71
Roof flashing DDT 15°	71
Roof flashing DDT 30°	72
Roof flashing DDT 45°	72
Roof flashing with lead plate DDTO 15°	72
Roof flashing with lead plate DDTO 30°	73
Roof flashing with lead plate DDTO 45°	73
Wide locking band KBTS	69

MKKD

Base anchor plate KFKS	57
Bearing elbow with revision GBKK 93°	62
Cleanout PATK	58
Continuous anchor plate KFSK	57
Elbow BGK 15°	61

Alphabetical index

MKDZ

Base anchor plate KFTAZ	77
Cleanout POTZ	78
Continuous anchor plate KFSZ	77
Elbow BGTZ 15°	80
Elbow BGTZ 30°	80
Elbow BGTZ 45°	80
Elbow BGTZ 90°	80
End plug DSZ	78
Length RTZ L 250	79
Length RTZ L 500	79
Length RTZ L 1000	79
Reduction tee-piece AFTSZR 90°	79
Tee-piece AFTSZ 45°	78
Tee-piece AFTSZ 90°	79
Transitional anchor plate KFTPZ	77

MKDZ accessories

Ceiling sleeve DFTZ	84
Construction clamp 60WHT 1	83
Construction clamp 60WHT 2	83
Construction clamp 60WHT 3	83
Masking flange 60WBT	83
Mouth end MATZ	86
Narrow locking band 60KBT	83
Rain flange 60RKT	84
Roof flashing 60DDT 0°	85
Roof flashing 60DDT 15°	85
Roof flashing 60DDT 30°	85
Roof flashing 60DDT 45°	86
Wide locking band 60KBTS	84

MKPS

Cleanout PAT PS	94
Condensate collector ODK PS	97
Divider ROZ PS 2x80 W	89
Elbow BGT PS 15°	90
Elbow BGT PS 30°	90
Elbow BGT PS 45°	90
Elbow BGT PS 90°	90
Elbow BGT PS 93°	91
Elbow with support BGTP PS 93°	91
Elbow with measurement spouts BGTM PS 90° ..	91
Horizontal air draw CH PS	96
Length RT PS L250	95
Length RT PS L500	95
Length RT PS L1000	95
Length with condensate collector RT OD PS	95
Length with measurement spout 1/2" RTM PS L250 ..	95
Long horizontal air draw CHD PS	96

Painted masking flange RS	97
Revision tee-piece AFKR PS 87°	92
Revision tee-piece AFKR PS 90°	92
Revision tee-piece with condensate collector AFKR OD PS 90°	92
Revision tee-piece with condensate collector and measurement spouts AFKRM OD PS 90°	93
Reduction tee-piece with revision AFKR-R PS 90°	93
Reduction tee-piece with revision AFKR-R PS 87°	93
Reduction tee-piece with revision and condensate collector AFKR-R OD PS 90°	94
Reduction tee-piece with revision, condensate collector and measurement spouts AFKRM-R OD PS 90° ..	94
Reduction RD PS	89
Reduction with condensate collector RD OD PS	89
Reduction with measurement spouts RDM PS	90
Tee-piece AFK 87°	92
Telescopic length RPJ PS	96
Transition elbow from MKPS to MKKD BGT PS/KD	91
Vertical adapter AD PS	89
Vertical air draw CV PS	96

MK Chimney sets

Universal horizontal TURBO chimney set PAK 01	99
Universal TURBO chimney lining set PAK 03	99
Universal vertical TURBO chimney set PAK 02	99
Single-wall chimney set PDBU with TR 90°	100
Single-wall chimney set PDU with TR 90°	100

Other

Acoustic silnecer ASD E15	103
Acoustic silnecer ASD E25	103
Acoustic silnecer ASD M15	103
Acoustic silnecer ASD M25	103
Chimney cowl Dragon DR-R	104
Chimney cowl Turbo TU-R	104
Condensate neutralizer NSK 5	104
Condensate neutralizer NSK 10	104
Condensate neutralizer NSK 15	104